

**FINISH: CHROME PLATED**

**AP ASSOCIATED PROJECTS** COMMERCIAL BUILDERS,  
PROJECT MANAGERS,  
PLANNERS & DESIGNERS

T 03 8787 3000 F 03 8787 3025  
48-58 Cyber Loop, Dandenong South VIC 3175

Rev	Date	Description

ALL DIMENSIONS IN (mm)  
UNLESS OTHERWISE SPECIFIED  
BREAK ALL SHARP EDGES

TOLERANCES  
(BEFORE PAINTING  
& AFTER PLATING)  
X ± 1.00  
X.X ± 0.50  
X.XX ± 0.10  
ANGLES ± 0.5°

**A01- RENDER**

**CLIENT: RFA**

**PROJ. NO.: TBA**

**PART NO.: --**

**Revision --**

**Page 1**

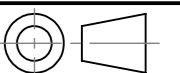
**HOOK - DOUBLE PRONG - D150 - FOR SLAT WALL  
PANEL - W./ FLIP SCAN - KIT**

**PRODUCT CODE: RFA0146**

**Date: 2/07/2024**

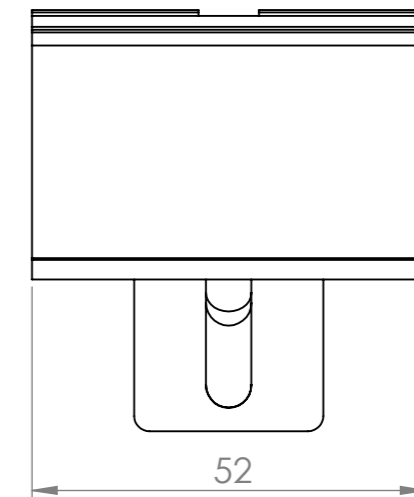
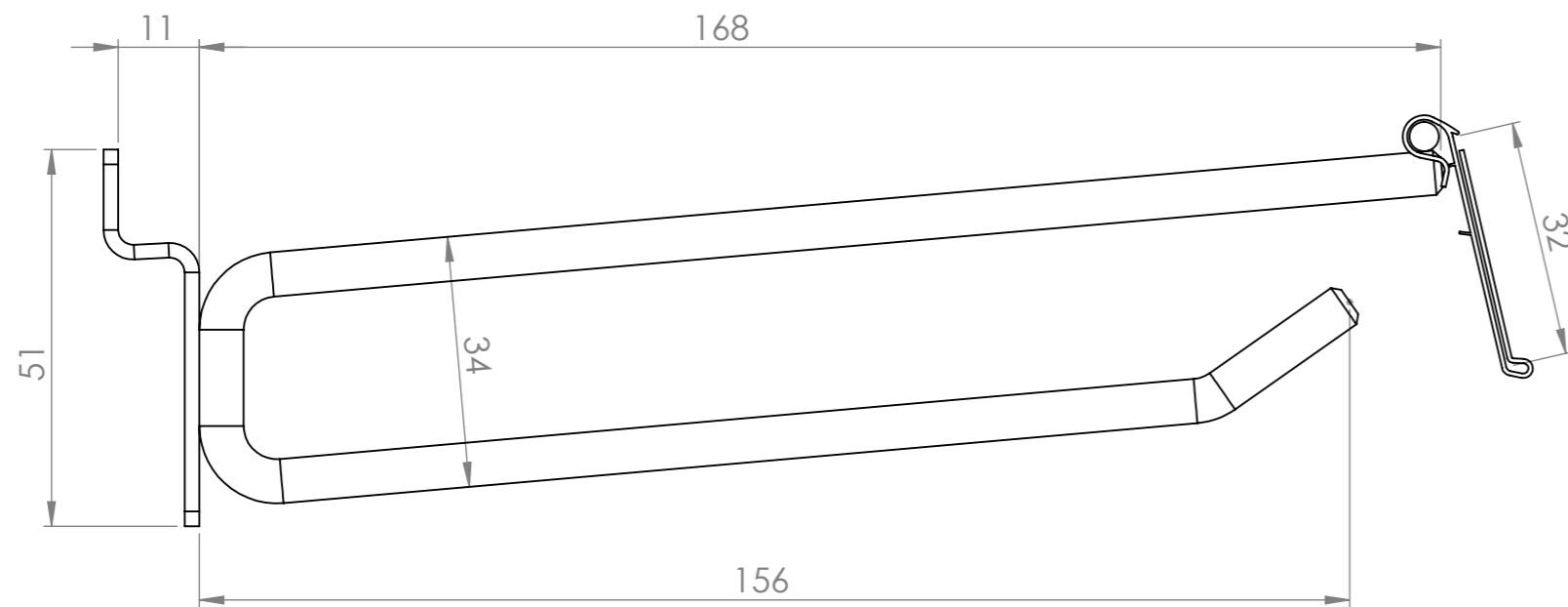
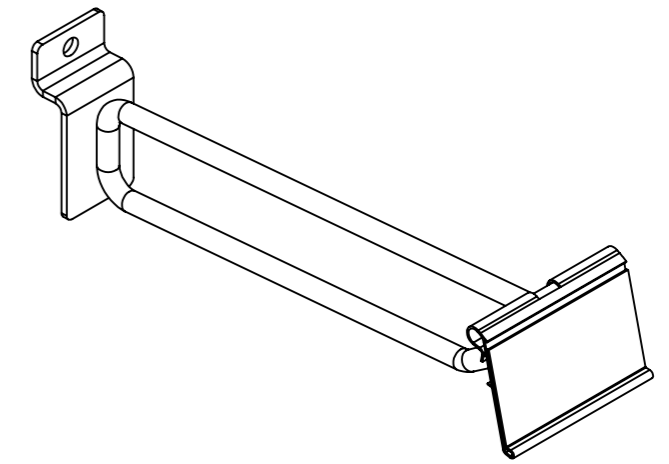
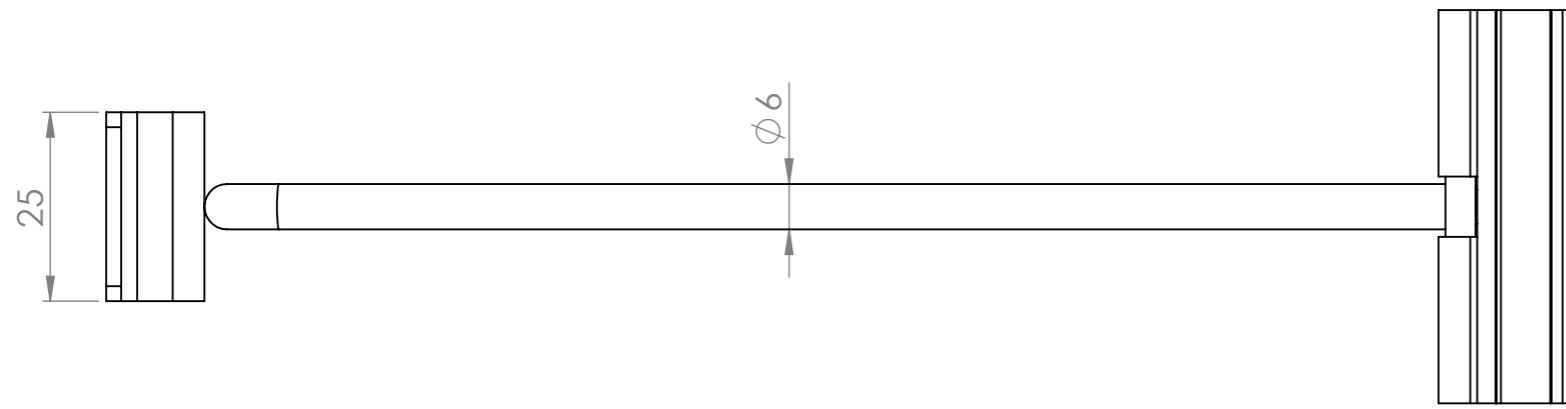
**Drawn by PS**

**Checked by --**



**DO NOT SCALE**

**Scale@A3 1:2**



Rev	Date	Description

ALL DIMENSIONS IN (mm)  
UNLESS OTHERWISE SPECIFIED  
BREAK ALL SHARP EDGES

TOLERANCES  
(BEFORE PAINTING  
& AFTER PLATING)  
X ± 1.00  
X.X ± 0.50  
X.XX ± 0.10  
ANGLES ± 0.5°

**A02- DIMENSIONS**

CLIENT: RFA  
PROJ. NO.: TBA  
PART NO.: --  
Revision --  
Page 2

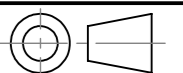
HOOK - DOUBLE PRONG - D150 FOR SLAT WALL  
PANEL - W./ FLIP SCAN - KIT

PRODUCT CODE: **RFA0146**

Date: 2/07/2024

Drawn by PS

Checked by --



DO NOT SCALE

Scale@A3 1:1