

FINISH: CHROME

**AP ASSOCIATED PROJECTS** COMMERCIAL BUILDERS,  
PROJECT MANAGERS,  
PLANNERS & DESIGNERS

T 03 8787 3000 F 03 8787 3025  
48-58 Cyber Loop, Dandenong South VIC 3175

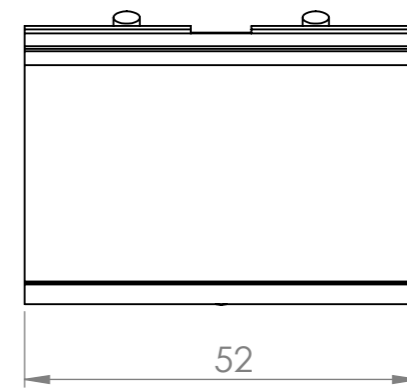
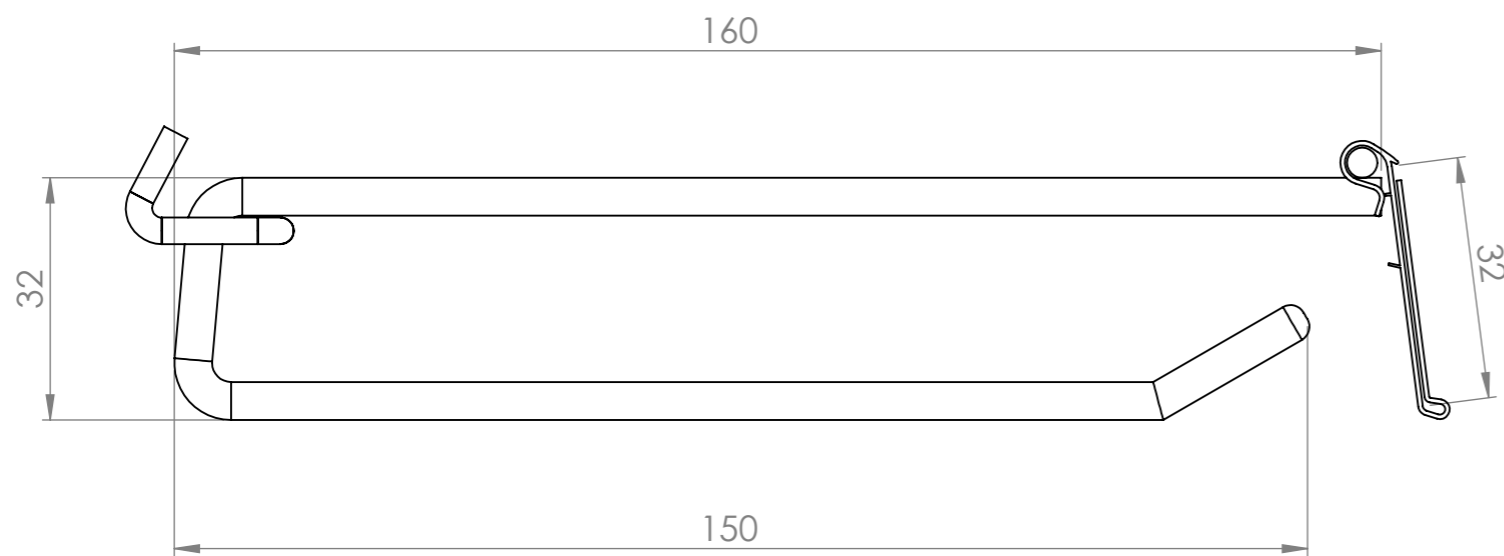
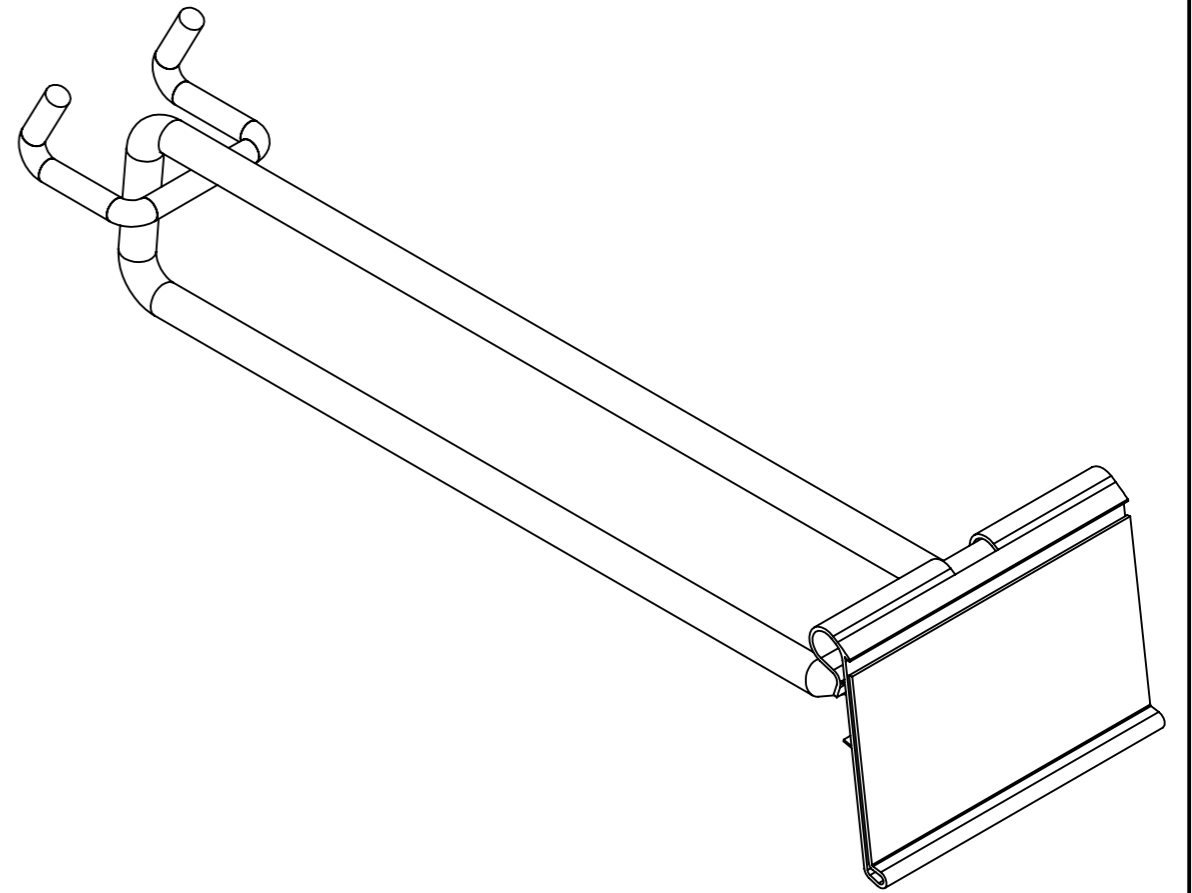
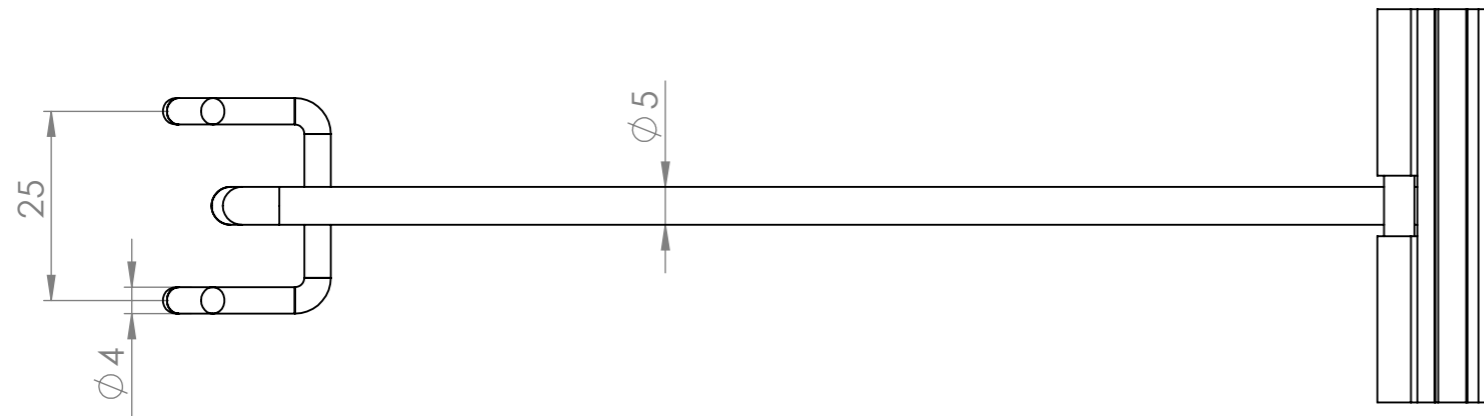
Rev	Date	Description

ALL DIMENSIONS IN (mm)  
UNLESS OTHERWISE SPECIFIED  
BREAK ALL SHARP EDGES

TOLERANCES  
(BEFORE PAINTING  
& AFTER PLATING)  
X ± 1.00  
X.X ± 0.50  
X.XX ± 0.10  
ANGLES ± 0.5°

A01- RENDER  
CLIENT: RFA  
PROJ. NO.: TBA  
PART NO.: --  
Revision --  
Page 1

HOOK - DOUBLE PRONG - D150 FOR WIRE MESH PANEL - W./ FLIP SCAN - KIT		
-		
PRODUCT CODE: <b>RFA0142</b>	Date: 2/07/2024	DO NOT SCALE
Drawn by PS	Checked by --	
Scale@A3 1:1		



Rev	Date	Description

ALL DIMENSIONS IN (mm)  
UNLESS OTHERWISE SPECIFIED  
BREAK ALL SHARP EDGES

TOLERANCES  
(BEFORE PAINTING  
& AFTER PLATING)  
X  $\pm$  1.00  
X.X  $\pm$  0.50  
X.XX  $\pm$  0.10  
ANGLES  $\pm$  0.5°

**A02- DIMENSIONS**

CLIENT: RFA  
PROJ. NO.: TBA  
PART NO.: --  
Revision --  
Page 2

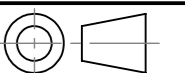
HOOK - DOUBLE PRONG - D150 FOR WIRE MESH  
PANEL - W./ FLIP SCAN - KIT

PRODUCT CODE: **RFA0142**

Date: 2/07/2024

Drawn by PS

Checked by --



DO NOT SCALE

Scale@A3 1:1