



FINISH: CHROME

**AP ASSOCIATED PROJECTS** COMMERCIAL BUILDERS,  
PROJECT MANAGERS,  
PLANNERS & DESIGNERS

T 03 8787 3000 F 03 8787 3025  
48-58 Cyber Loop, Dandenong South VIC 3175

Rev	Date	Description

ALL DIMENSIONS IN (mm)  
UNLESS OTHERWISE SPECIFIED  
BREAK ALL SHARP EDGES

TOLERANCES  
(BEFORE PAINTING  
& AFTER PLATING)  
X ± 1.00  
X.X ± 0.50  
X.XX ± 0.10  
ANGLES ± 0.5°

A01- RENDER

CLIENT: RFA

PROJ. NO.: TBA

PART NO.: --

Revision --

Page 1

HOOK - DOUBLE PRONG - D150 - PERFORATED  
PANEL - W./ FLIP SCAN - KIT

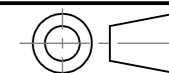
-

PRODUCT CODE: **RFA0134**

Date: 1/07/2024

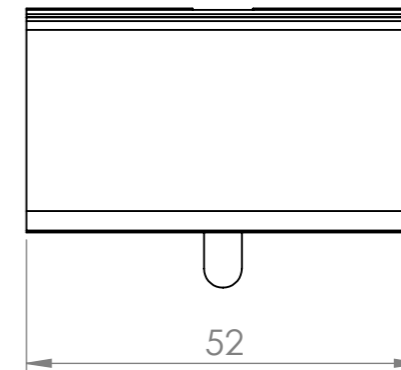
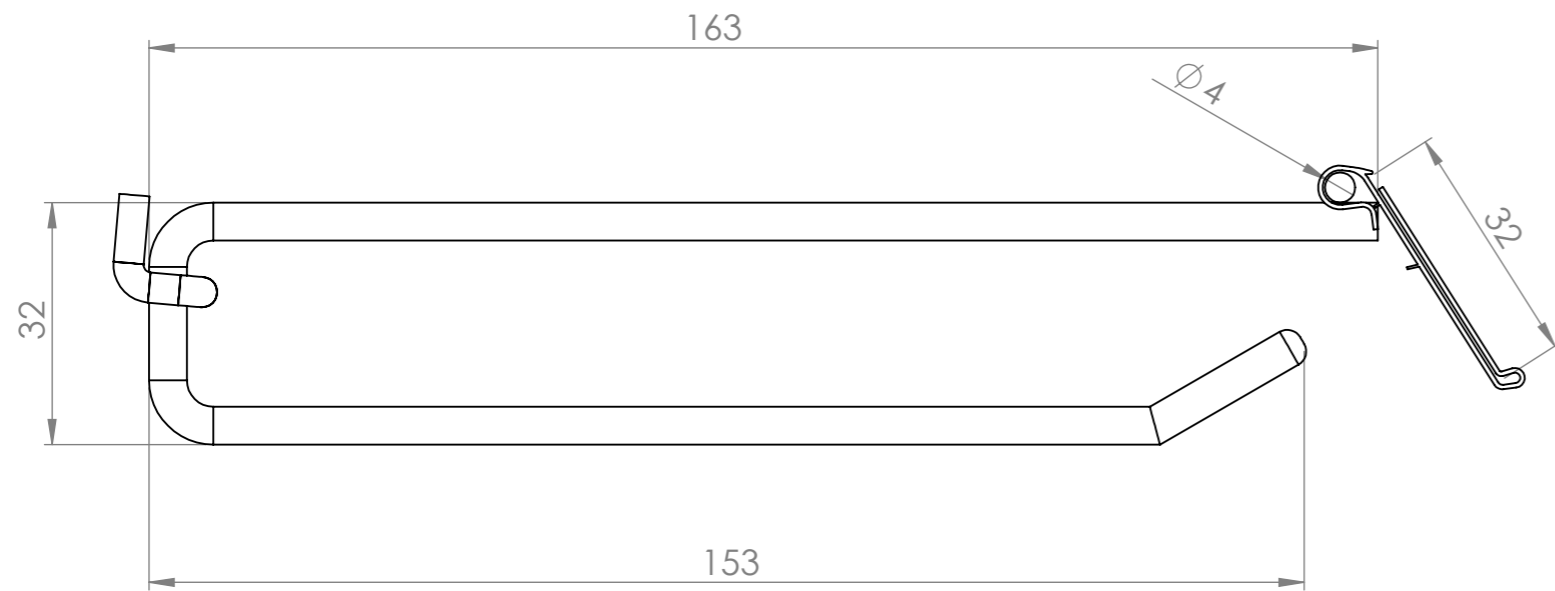
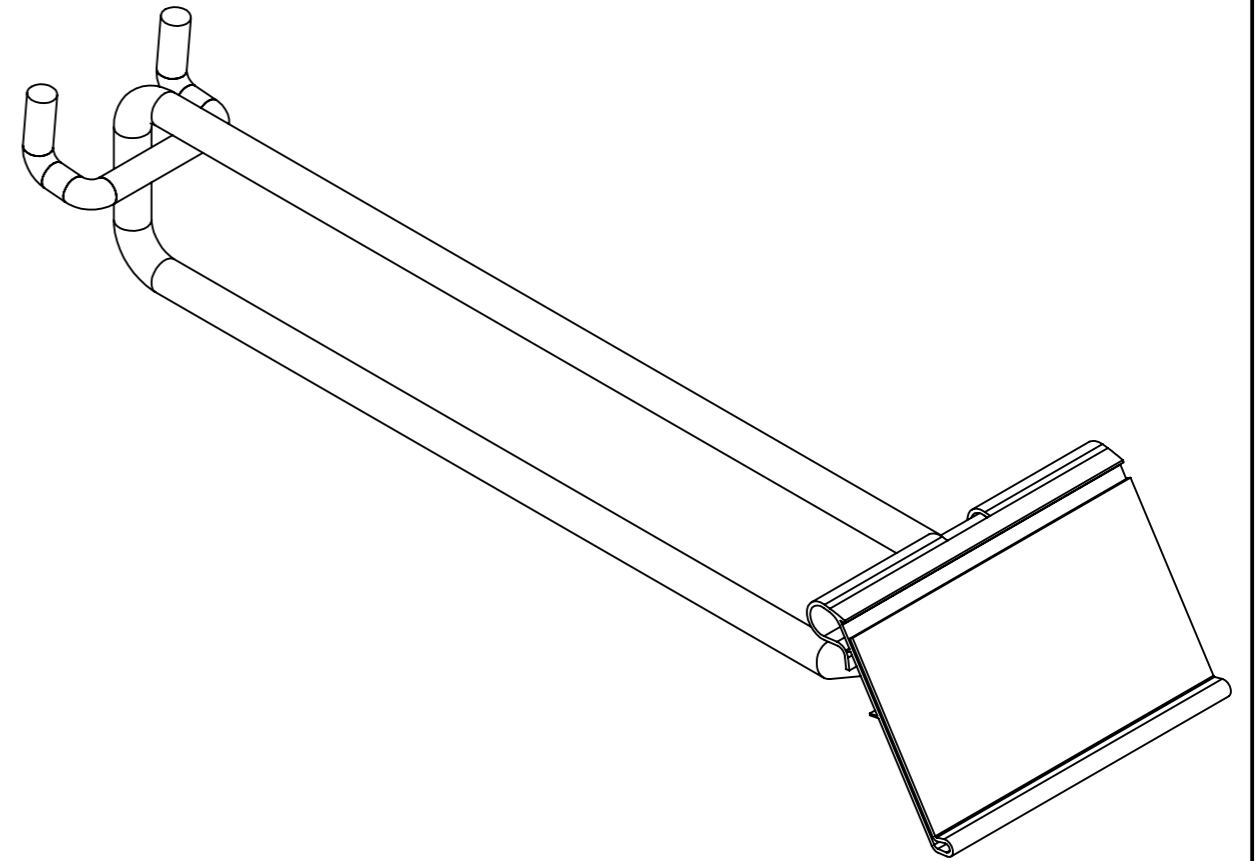
Drawn by PS

Checked by --



DO NOT SCALE

Scale@A3 1:1



Rev	Date	Description

ALL DIMENSIONS IN (mm)  
UNLESS OTHERWISE SPECIFIED  
BREAK ALL SHARP EDGES

TOLERANCES  
(BEFORE PAINTING  
& AFTER PLATING)  
X ± 1.00  
X.X ± 0.50  
X.XX ± 0.10  
ANGLES ± 0.5°

**A02- DIMENSIONS**  
CLIENT: RFA  
PROJ. NO.: TBA  
PART NO.: --  
Revision --  
Page 2

<b>HOOK - DOUBLE PRONG - D150 - PERFORATED PANEL - W./ FLIP SCAN</b>		
-		
PRODUCT CODE: <b>RFA0134</b>	Date: 1/07/2024	DO NOT SCALE
Drawn by PS	Checked by --	
Scale@A3 1:1		