



FINISH: P/C MATTE BLACK

Rev	Date	Description

ALL DIMENSIONS IN (mm)  
UNLESS OTHERWISE SPECIFIED  
BREAK ALL SHARP EDGES

TOLERANCES  
(BEFORE PAINTING  
& AFTER PLATING)  
X ± 1.00  
X.X ± 0.50  
X.XX ± 0.10  
ANGLES ± 0.5°

A01- RENDER

CLIENT: RFA

PROJ. NO.: TBA

PART NO.: --

Revision --

Page 1

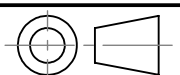
HOOK - DOUBLE PRONG - D100 - PERFORATED  
PANEL - W./ FLIP SCAN - KIT

PRODUCT CODE: **RFA0133**

Date: 1/07/2024

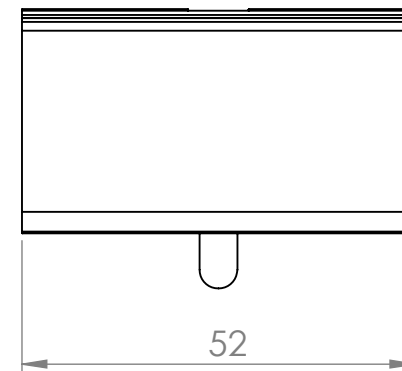
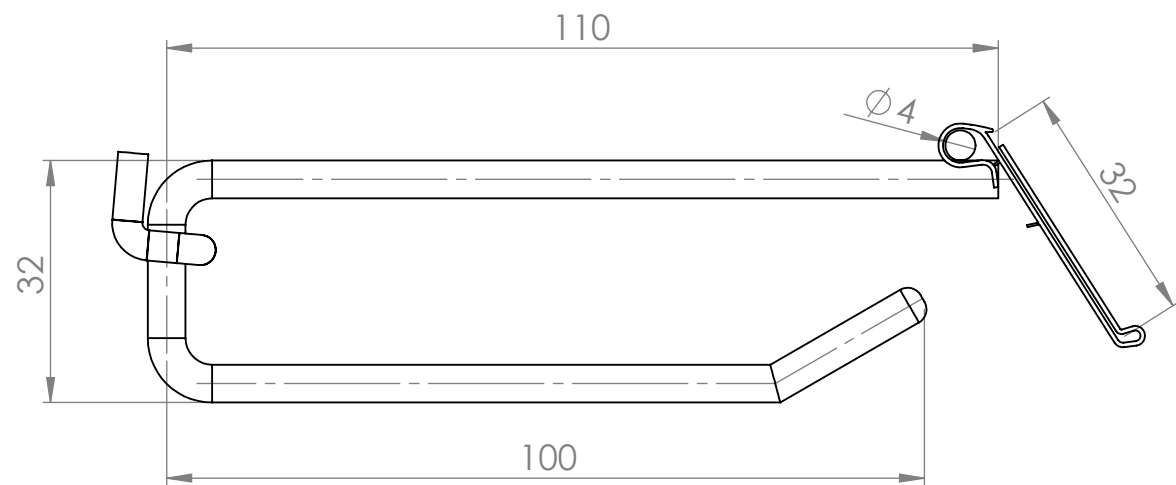
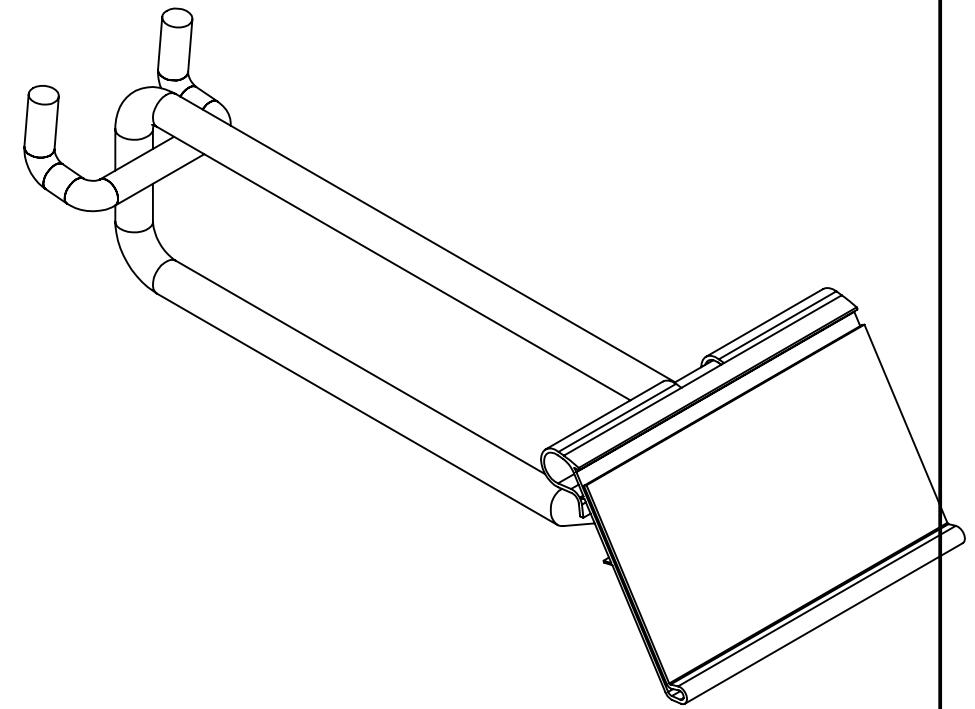
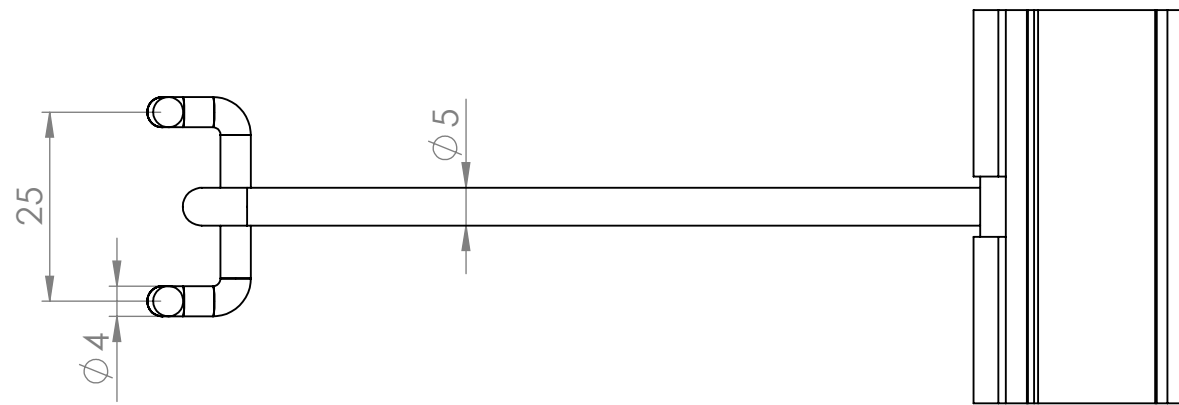
Drawn by PS

Checked by --



DO NOT SCALE

Scale@A3 1:1



Rev	Date	Description

ALL DIMENSIONS IN (mm)  
UNLESS OTHERWISE SPECIFIED  
BREAK ALL SHARP EDGES

TOLERANCES  
(BEFORE PAINTING  
& AFTER PLATING)  
X  $\pm$  1.00  
X.X  $\pm$  0.50  
X.XX  $\pm$  0.10  
ANGLES  $\pm$  0.5°

**A02- DIMENSIONS**

CLIENT: RFA  
PROJ. NO.: TBA  
PART NO.: --  
Revision --  
Page 2

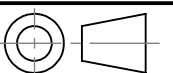
HOOK - DOUBLE PRONG - D100 - PERFORATED  
PANEL - W./ FLIP SCAN

PRODUCT CODE: **RFA0133**

Date: 1/07/2024

Drawn by PS

Checked by --



DO NOT SCALE

Scale@A3 1:1