



FINISH: P/C CHARCOAL

AP ASSOCIATED PROJECTS COMMERCIAL BUILDERS,
PROJECT MANAGERS,
PLANNERS & DESIGNERS

T 03 8787 3000 F 03 8787 3025
48-58 Cyber Loop, Dandenong South VIC 3175

Rev	Date	Description

ALL DIMENSIONS IN (mm)
UNLESS OTHERWISE SPECIFIED
BREAK ALL SHARP EDGES

TOLERANCES
(BEFORE PAINTING
& AFTER PLATING)
X ± 1.00
X.X ± 0.50
X.XX ± 0.10
ANGLES ± 0.5°

A01- RENDER

CLIENT: RFA

PROJ. NO.: TBA

PART NO.: --

Revision --

Page 1

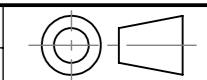
DUMP BIN KIT
W600 x H900 x D600

PRODUCT CODE: **RFA0108**

Date: 27/06/2024

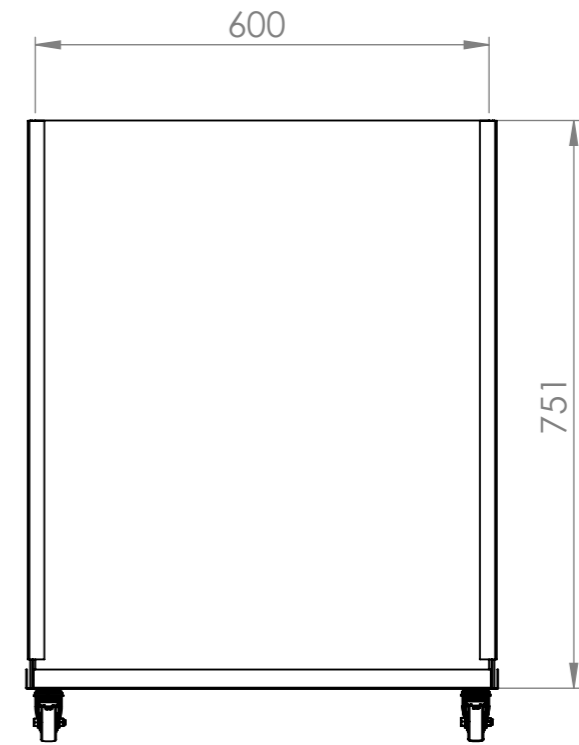
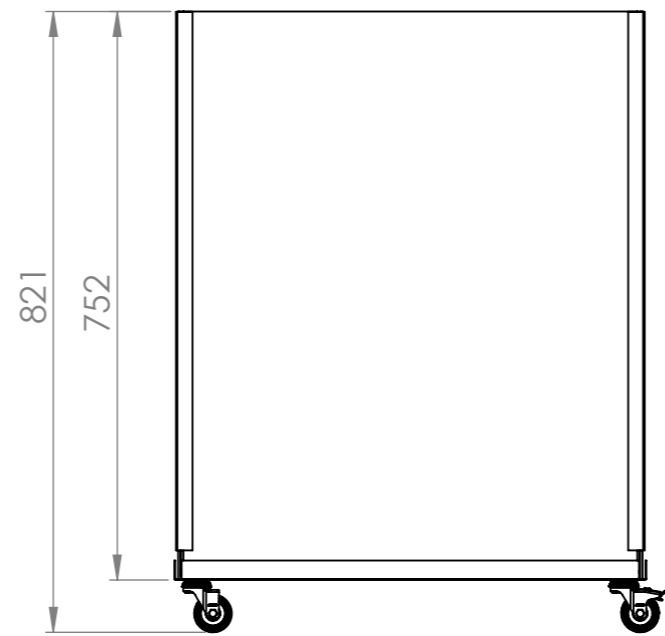
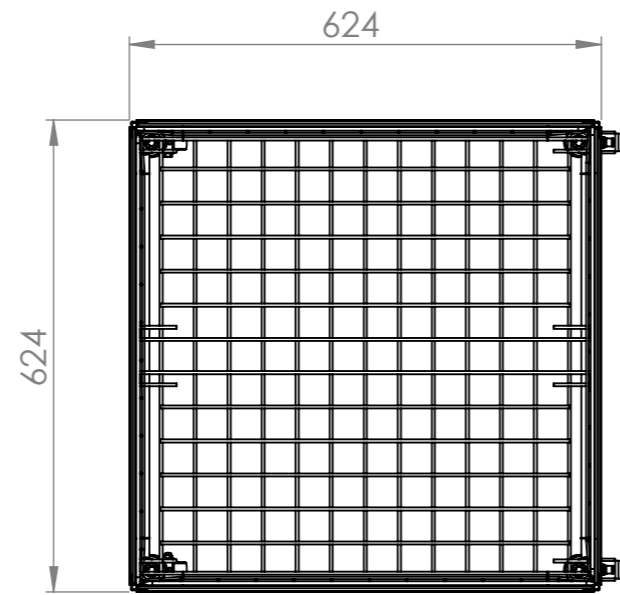
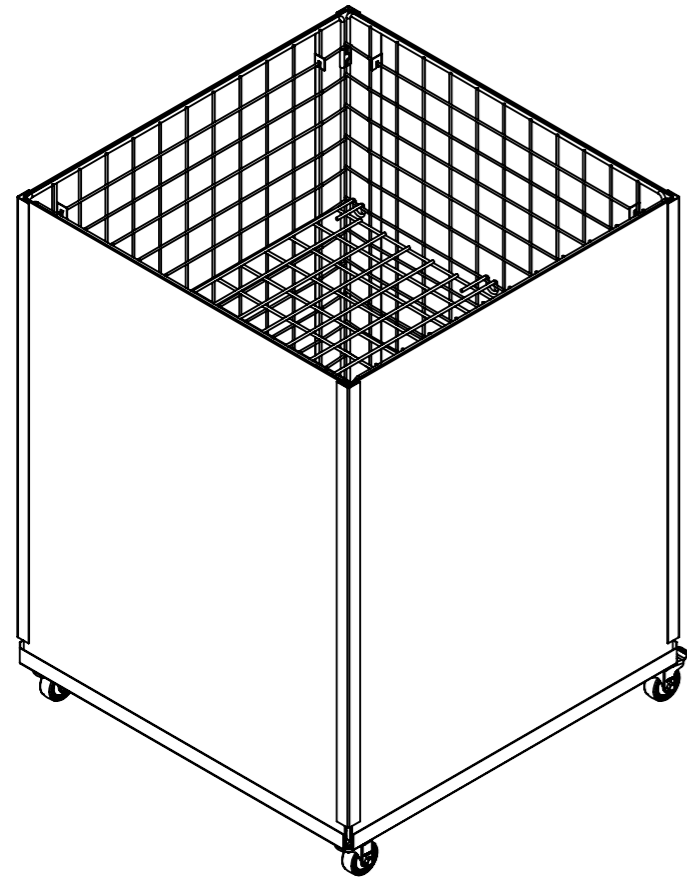
Drawn by PS

Checked by --



DO NOT SCALE

Scale@A3 1:10

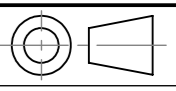


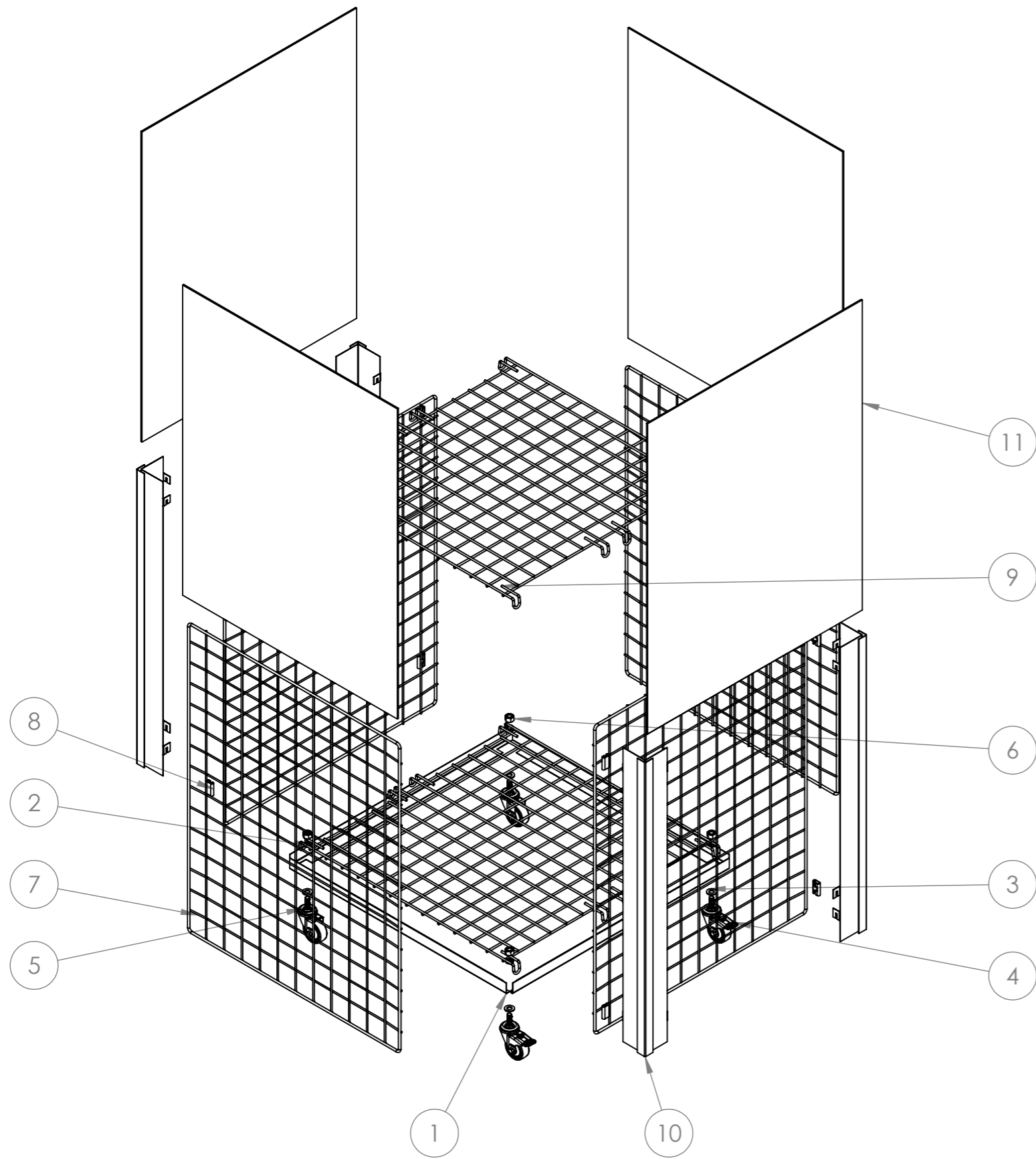
Rev	Date	Description

ALL DIMENSIONS IN (mm)
UNLESS OTHERWISE SPECIFIED
BREAK ALL SHARP EDGES

TOLERANCES
(BEFORE PAINTING
& AFTER PLATING)
X ± 1.00
X.X ± 0.50
X.XX ± 0.10
ANGLES ± 0.5°

A02- DIMENSIONS
CLIENT: RFA
PROJ. NO.: TBA
PART NO.: --
Revision --
Page 2

DUMP BIN KIT W600 x H900 x D600		 DO NOT SCALE
PRODUCT CODE: RFA0108	Date: 27/06/2024	
Drawn by PS	Checked by --	Scale@A3 1:10



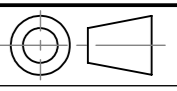
ITEM NO.	PartNo	DESCRIPTION	QTY.
1			1
2		M10 SRRING WASHER	4
3		M10 PLAIN WASHER	4
4		50mm CASTOR LOCKABLE	2
5		50mm CASTOR	2
6		M10 HEX NUT	4
7		WIRE MESH SIDE PANEL	4
8		JOINING CLIP	8
9		WIRE MESH DIVIDER SHELF	2
10		CORNER	4
11		GRAPHIC PANEL	4

Rev	Date	Description

ALL DIMENSIONS IN (mm)
UNLESS OTHERWISE SPECIFIED
BREAK ALL SHARP EDGES

TOLERANCES
(BEFORE PAINTING
& AFTER PLATING)
X ± 1.00
X.X ± 0.50
X.XX ± 0.10
ANGLES ± 0.5°

A03- EXPLODED
CLIENT: RFA
PROJ. NO.: TBA
PART NO.: --
Revision --
Page 3

DUMP BIN KIT W600 x H900 x D600		
-		
PRODUCT CODE: RFA0108		DO NOT SCALE
Date:	27/06/2024	
Drawn by	PS	
Checked by	--	Scale@A3 1:10