



FINISH: P/C MATTE BLACK

**AP ASSOCIATED PROJECTS** COMMERCIAL BUILDERS,  
PROJECT MANAGERS,  
PLANNERS & DESIGNERS

T 03 8787 3000 F 03 8787 3025  
48-58 Cyber Loop, Dandenong South VIC 3175

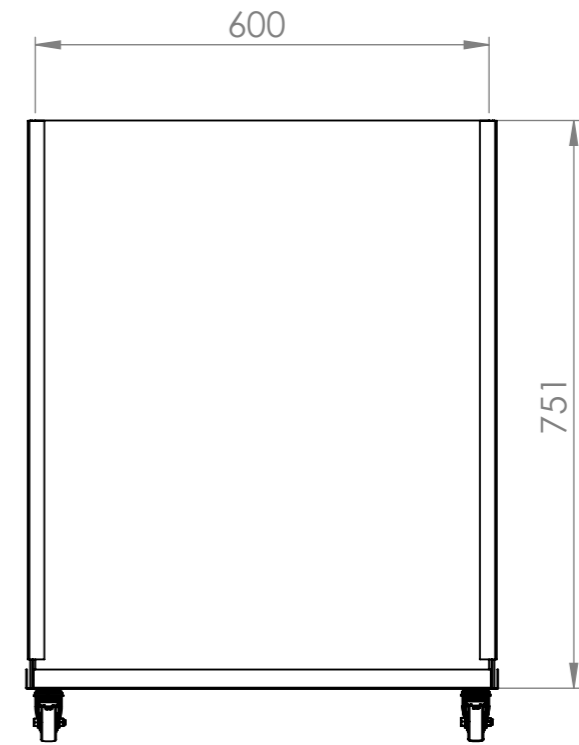
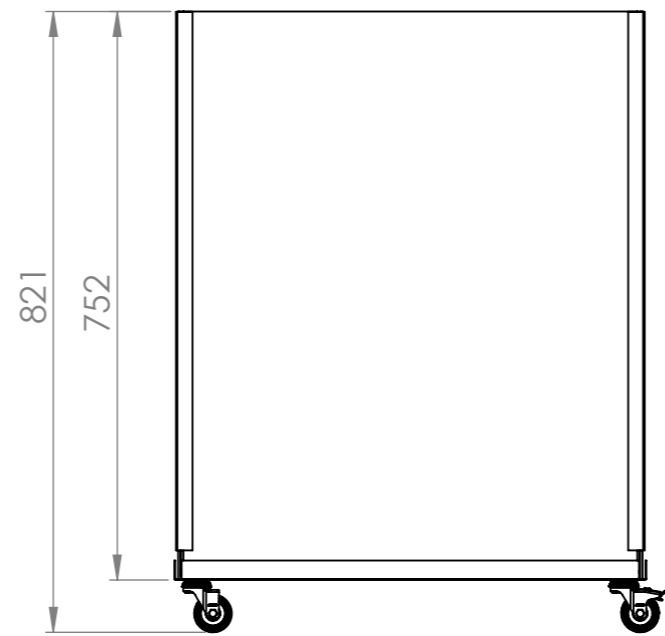
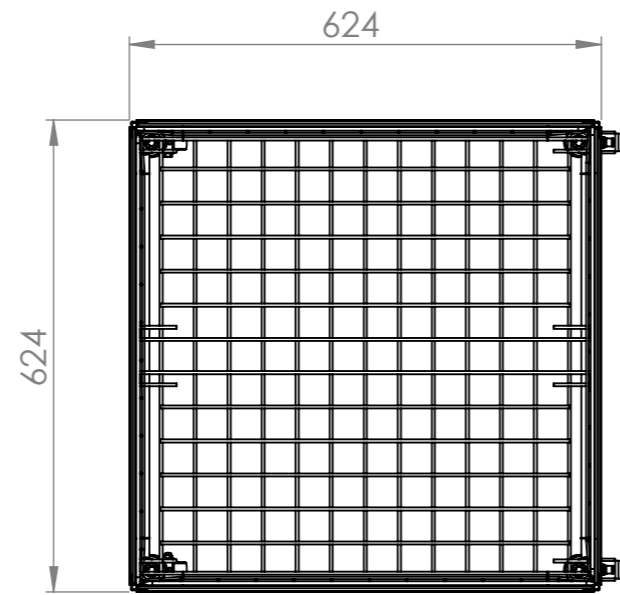
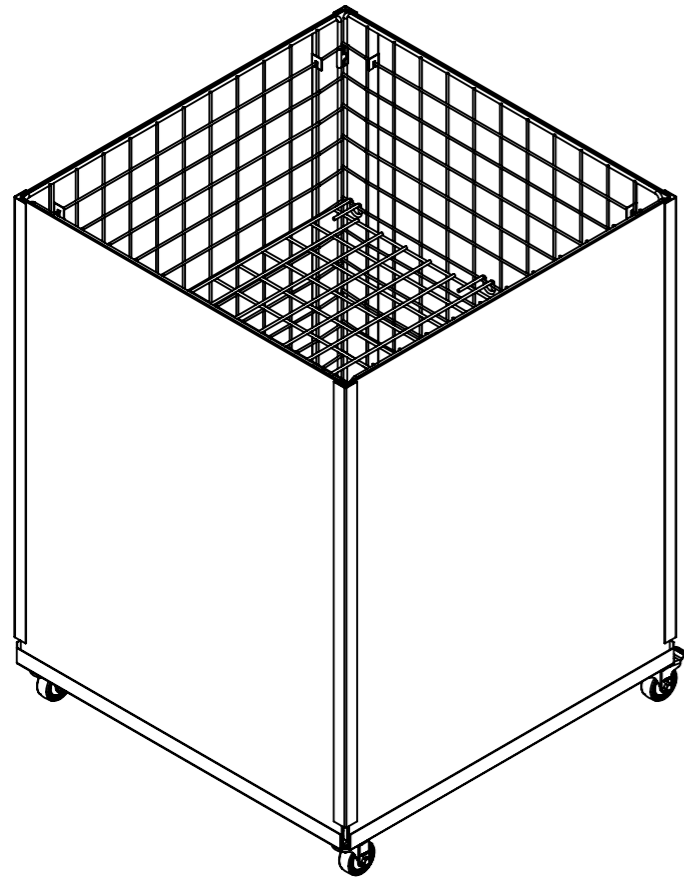
Rev	Date	Description

ALL DIMENSIONS IN (mm)  
UNLESS OTHERWISE SPECIFIED  
BREAK ALL SHARP EDGES

TOLERANCES  
(BEFORE PAINTING  
& AFTER PLATING)  
X ± 1.00  
X.X ± 0.50  
X.XX ± 0.10  
ANGLES ± 0.5°

A01- RENDER  
CLIENT: RFA  
PROJ. NO.: TBA  
PART NO.: --  
Revision --  
Page 1

DUMP BIN KIT W600 x H900 x D600 -		
PRODUCT CODE: <b>RFA0106</b>	Date: 12/01/2024	
Drawn by PS	Checked by --	DO NOT SCALE
		Scale@A3 1:10

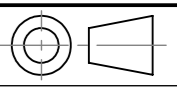


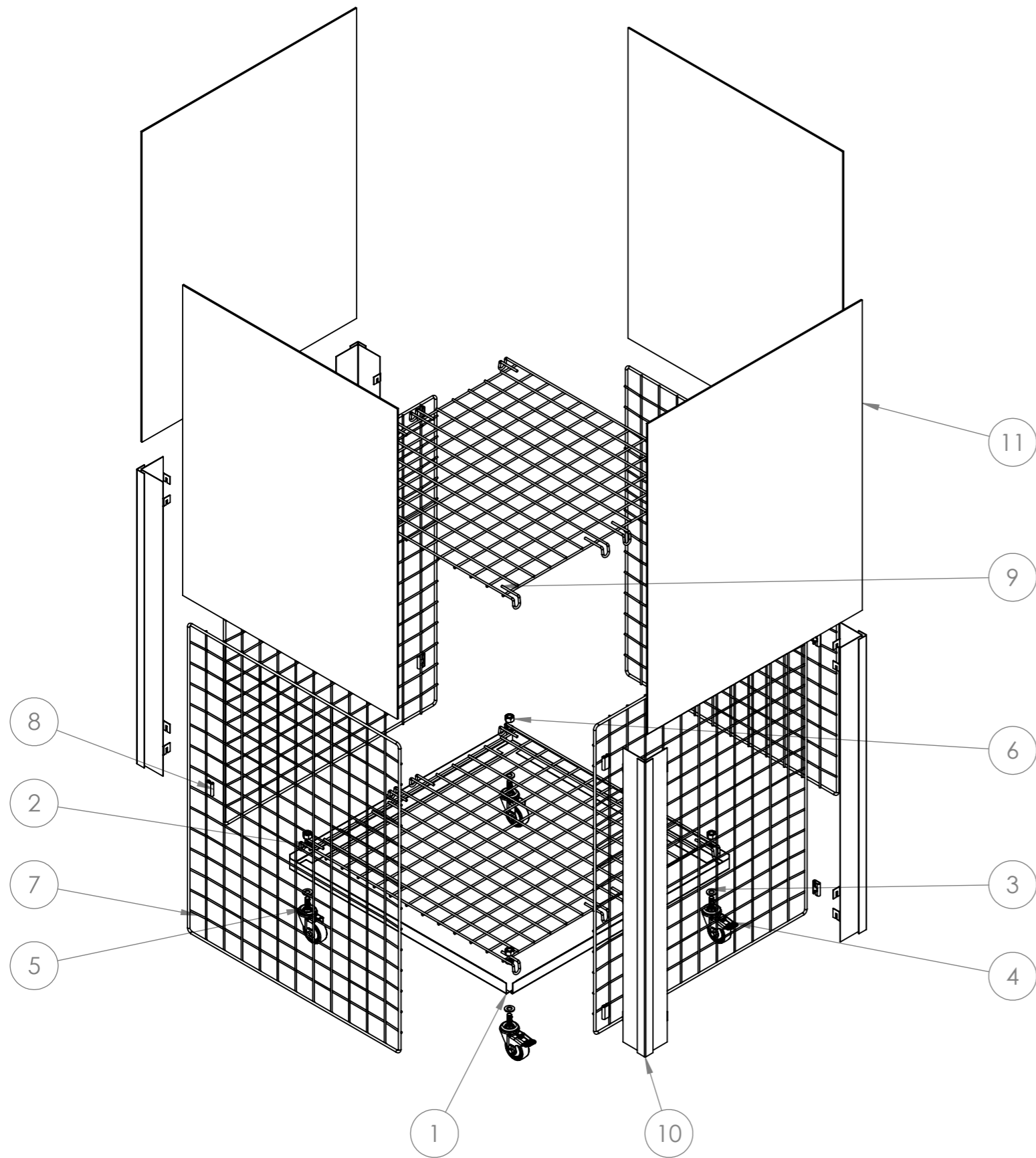
Rev	Date	Description

ALL DIMENSIONS IN (mm)  
UNLESS OTHERWISE SPECIFIED  
BREAK ALL SHARP EDGES

TOLERANCES  
(BEFORE PAINTING  
& AFTER PLATING)  
X ± 1.00  
X.X ± 0.50  
X.XX ± 0.10  
ANGLES ± 0.5°

**A02- DIMENSIONS**  
CLIENT: RFA  
PROJ. NO.: TBA  
PART NO.: --  
Revision --  
Page 2

<b>DUMP BIN KIT</b> W600 x H900 x D600		
-		
PRODUCT CODE: <b>RFA0106</b>	Date: 12/01/2024	DO NOT SCALE
Drawn by PS	Checked by --	
Scale@A3 1:10		



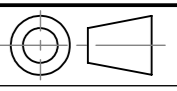
ITEM NO.	PartNo	DESCRIPTION	QTY.
1			1
2		M10 SRRING WASHER	4
3		M10 PLAIN WASHER	4
4		50mm CASTOR LOCKABLE	2
5		50mm CASTOR	2
6		M10 HEX NUT	4
7		WIRE MESH SIDE PANEL	4
8		JOINING CLIP	8
9		WIRE MESH DIVIDER SHELF	2
10		CORNER	4
11		GRAPHIC PANEL	4

Rev	Date	Description

ALL DIMENSIONS IN (mm)  
UNLESS OTHERWISE SPECIFIED  
BREAK ALL SHARP EDGES

TOLERANCES  
(BEFORE PAINTING  
& AFTER PLATING)  
X ± 1.00  
X.X ± 0.50  
X.XX ± 0.10  
ANGLES ± 0.5°

**A03- EXPLODED**  
CLIENT: RFA  
PROJ. NO.: TBA  
PART NO.: --  
Revision --  
Page 3

<b>DUMP BIN KIT</b> W600 x H900 x D600		
-		
PRODUCT CODE: <b>RFA0106</b>		DO NOT SCALE
Date:	12/01/2024	
Drawn by	PS	
Checked by	--	Scale@A3 1:10