



FINISH: P/C MATTE BLACK

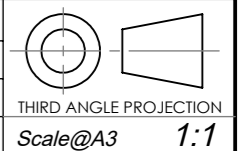
AP ASSOCIATED PROJECTS COMMERCIAL BUILDERS,
PROJECT MANAGERS,
PLANNERS & DESIGNERS

T 03 8787 3000 F 03 8787 3025
48-58 Cyber Loop, Dandenong South VIC 3175

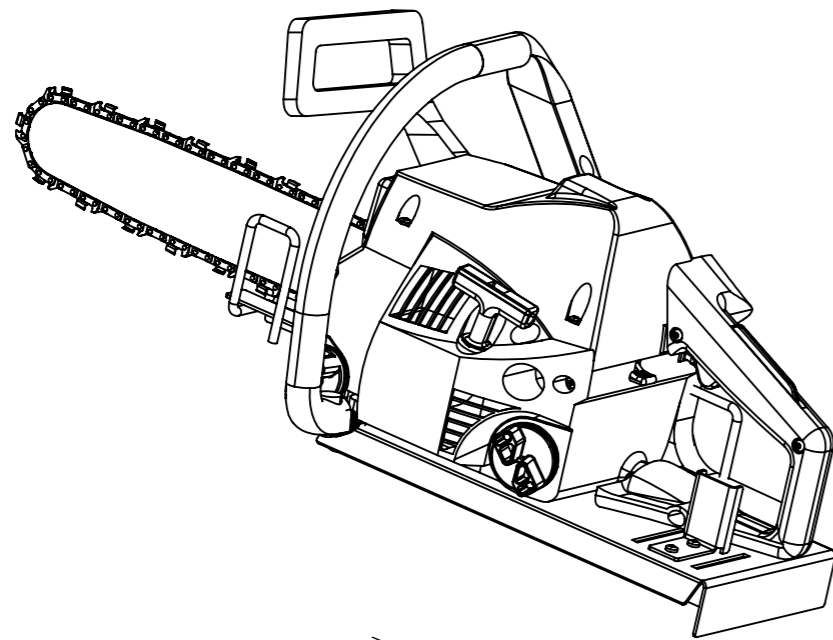
| No. | Date | Description |
|-----|------|-------------|
| | | |
| | | |
| | | |
| | | |

A01-RENDER

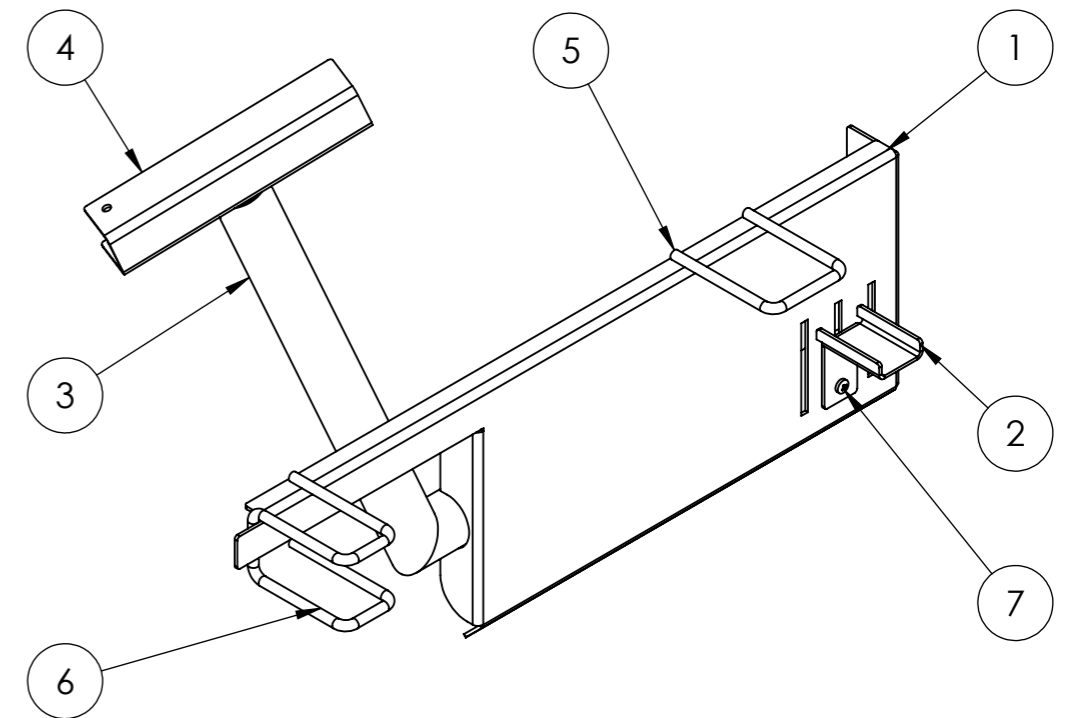
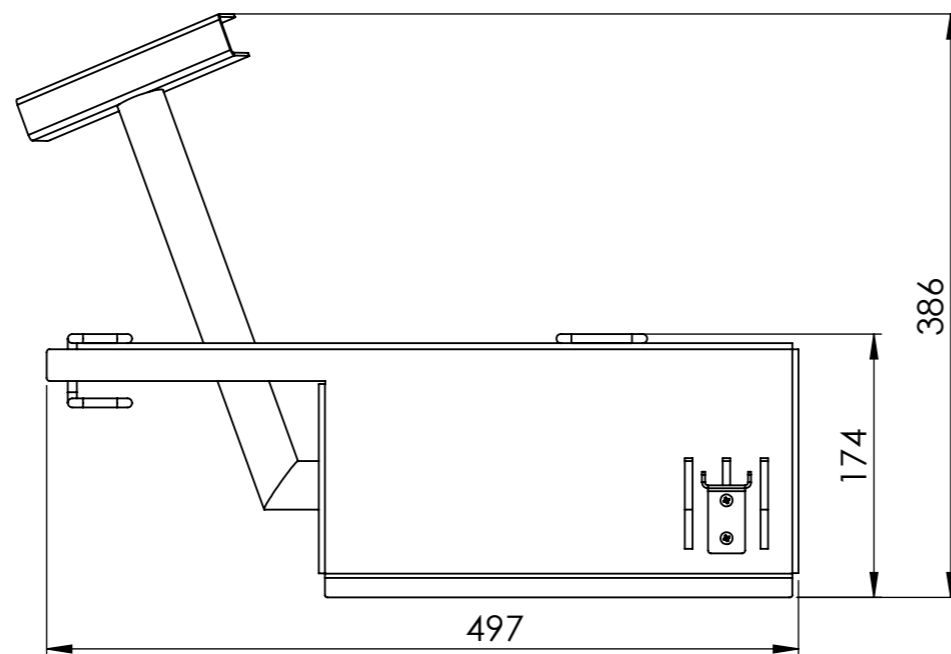
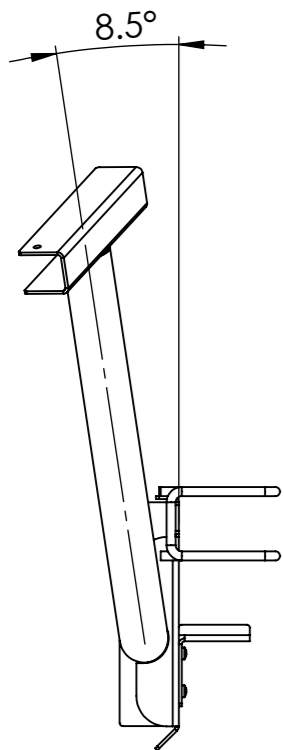
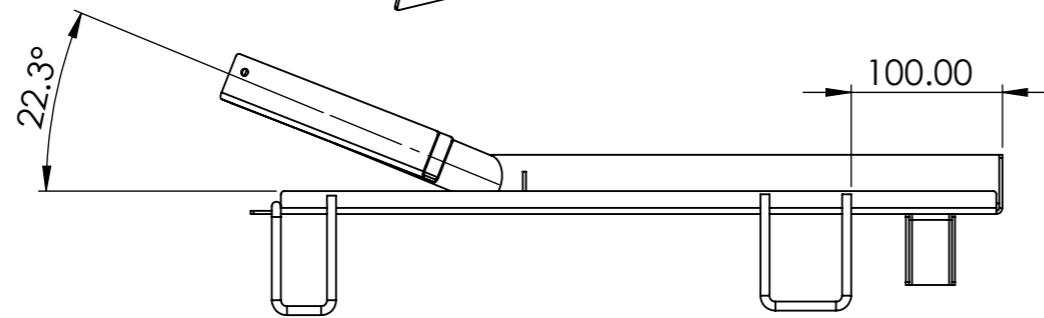
| CHAINSAW HOLDER | |
|------------------------|------------|
| Project number | RFA0099 |
| Date: | 13/03/2024 |
| Drawn by | PS |
| Checked by | -- |



Scale@A3 1:1



| ITEM NO. | PART NUMBER | QTY. |
|----------|------------------------------|------|
| 1 | CHAINSAW HOLDER_001-PLATE | 1 |
| 2 | CHAINSAW HOLDER_002-SHELF | 1 |
| 3 | CHAINSAW HOLDER_003-TUBE | 1 |
| 4 | CHAINSAW HOLDER_004-BAR HOOK | 1 |
| 5 | CHAINSAW HOLDER_005-LOOP | 1 |
| 6 | CHAINSAW HOLDER_006-SAW FORK | 1 |
| 7 | AS-NZS 1427 PC- M4 x 8-N | 2 |
| 8 | AS 1112.1 S1 - M4-W-N | 2 |



| No. | Date | Description |
|-----|------|-------------|
| | | |
| | | |
| | | |

