

FINISH: CHROME

AP ASSOCIATED PROJECTS COMMERCIAL BUILDERS,
PROJECT MANAGERS,
PLANNERS & DESIGNERS

T 03 8787 3000 F 03 8787 3025
48-58 Cyber Loop, Dandenong South VIC 3175

Rev	Date	Description

ALL DIMENSIONS IN (mm)
UNLESS OTHERWISE SPECIFIED
BREAK ALL SHARP EDGES

TOLERANCES
(BEFORE PAINTING
& AFTER PLATING)
X ± 1.00
X.X ± 0.50
X.XX ± 0.10
ANGLES ± 0.5°

A01- RENDER
CLIENT: RFA
PROJ. NO.: TBA
PART NO.: --
Revision --
Page 1

PRONG HEAVY DUTY 150 MM

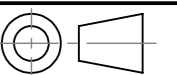
-

PRODUCT CODE: **RFA0094**

Date: 27/06/2024

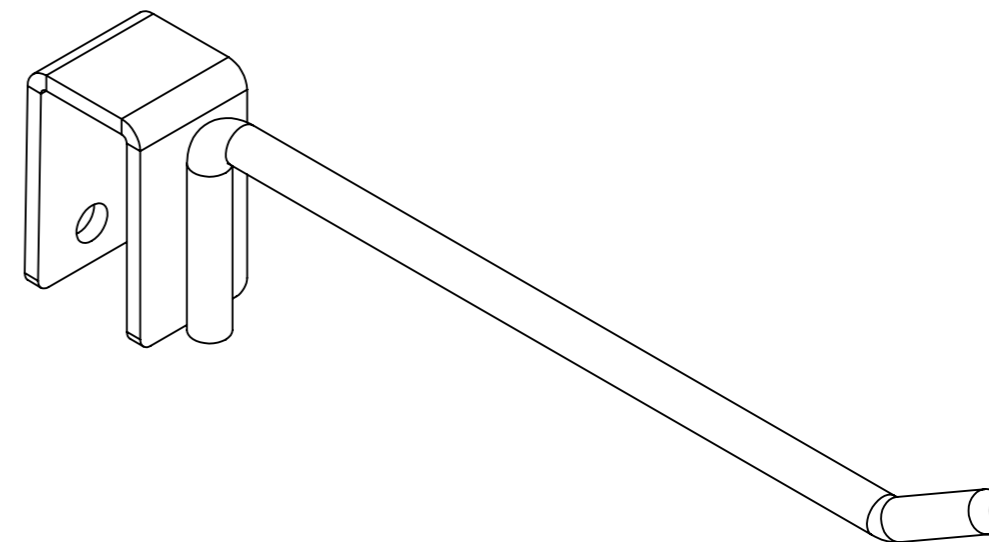
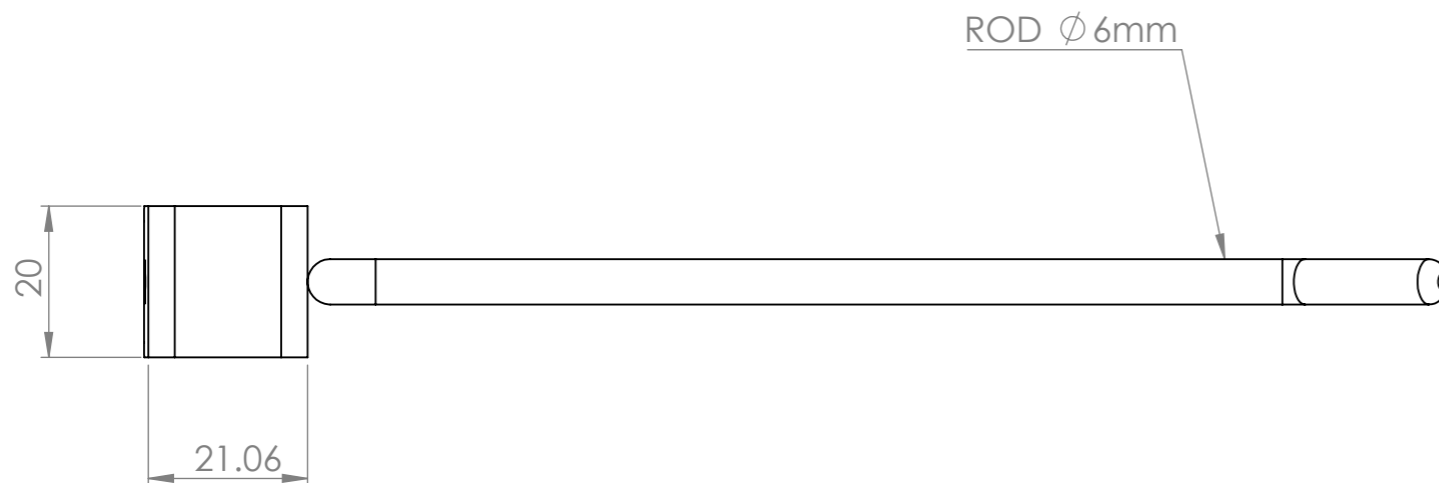
Drawn by DH

Checked by --



DO NOT SCALE

Scale@A3 1:1



Rev	Date	Description

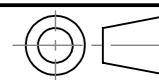
ALL DIMENSIONS IN (mm)
UNLESS OTHERWISE SPECIFIED
BREAK ALL SHARP EDGES

TOLERANCES
(BEFORE PAINTING
& AFTER PLATING)
X \pm 1.00
X.X \pm 0.50
X.XX \pm 0.10
ANGLES \pm 0.5°

A02- CLIENT
CLIENT: RFA
PROJ. NO.: TBA
PART NO.: --
Revision --
Page 2

HOOK 150MM - 3KG LIMIT - FOR BACK RAIL

PRODUCT CODE: **RFA0094**
Date: 27/06/2024
Drawn by DH
Checked by --


DO NOT SCALE
Scale@A3 1:1