

FINISH: MATTE BLACK

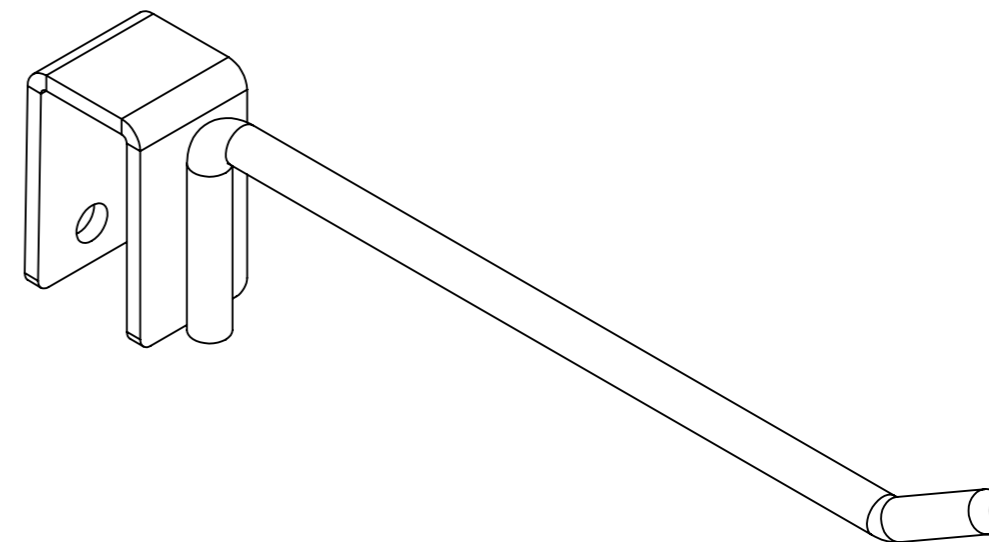
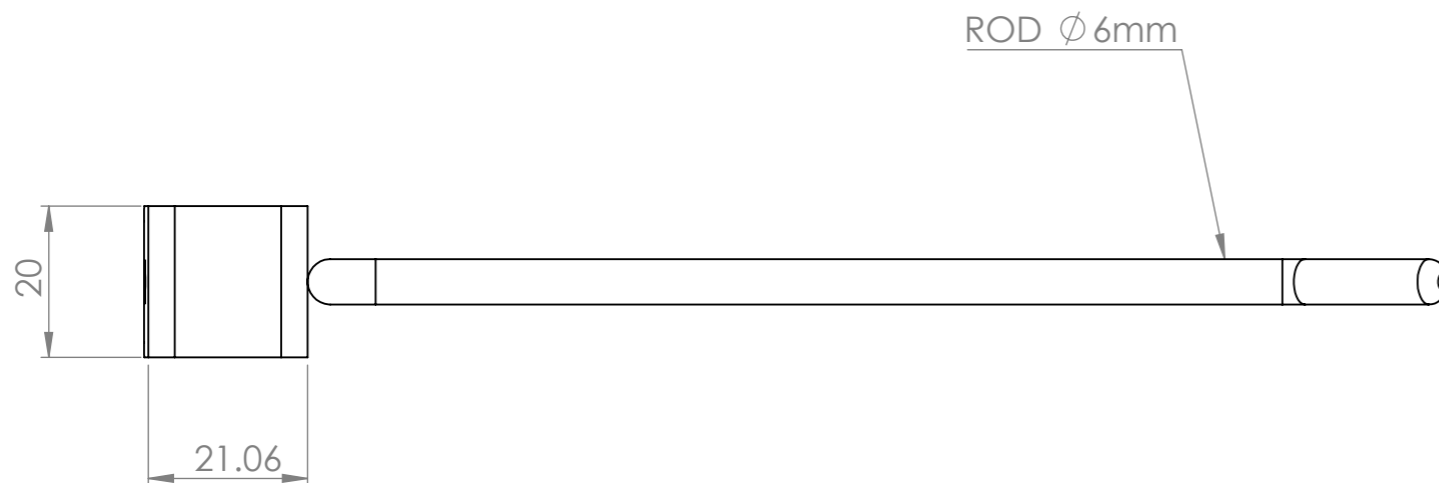
Rev	Date	Description

ALL DIMENSIONS IN (mm)
UNLESS OTHERWISE SPECIFIED
BREAK ALL SHARP EDGES

TOLERANCES
(BEFORE PAINTING
& AFTER PLATING)
X ± 1.00
X.X ± 0.50
X.XX ± 0.10
ANGLES ± 0.5°

A01- RENDER
CLIENT: RFA
PROJ. NO.: TBA
PART NO.: --
Revision --
Page 1

PRONG HEAVY DUTY 150 MM	
-	
PRODUCT CODE: RFA0093	
Date: 27/06/2024	DO NOT SCALE
Drawn by DH	Scale@A3 1:1
Checked by --	



Rev	Date	Description

ALL DIMENSIONS IN (mm)
UNLESS OTHERWISE SPECIFIED
BREAK ALL SHARP EDGES

TOLERANCES
(BEFORE PAINTING
& AFTER PLATING)
X \pm 1.00
X.X \pm 0.50
X.XX \pm 0.10
ANGLES \pm 0.5°

A02- CLIENT
CLIENT: RFA
PROJ. NO.: TBA
PART NO.: --
Revision --
Page 2

HOOK 150MM - 3KG LIMIT - FOR BACK RAIL

PRODUCT CODE: **RFA0093**
Date: 27/06/2024
Drawn by DH
Checked by --

DO NOT SCALE
Scale@A3 1:1