



**FINISH: P/C MATTE BLACK**

**AP ASSOCIATED PROJECTS** COMMERCIAL BUILDERS,  
PROJECT MANAGERS,  
PLANNERS & DESIGNERS

T 03 8787 3000 F 03 8787 3025  
48-58 Cyber Loop, Dandenong South VIC 3175

Rev	Date	Description

ALL DIMENSIONS IN (mm)  
UNLESS OTHERWISE SPECIFIED  
BREAK ALL SHARP EDGES

TOLERANCES  
(BEFORE PAINTING  
& AFTER PLATING)  
X ± 1.00  
X.X ± 0.50  
X.XX ± 0.10  
ANGLES ± 0.5°

**A01- RENDER**  
**CLIENT: RFA2000/6000**  
**PROJ. NO.: TBA**  
**PART NO.: --**  
**Revision --**  
**Page 1**

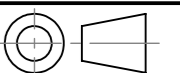
**WATERFALL DISPLAY 1200 MM (W)  
DOUBLE TIER**

**PRODUCT CODE: RFA0080**

Date: 6/06/2023

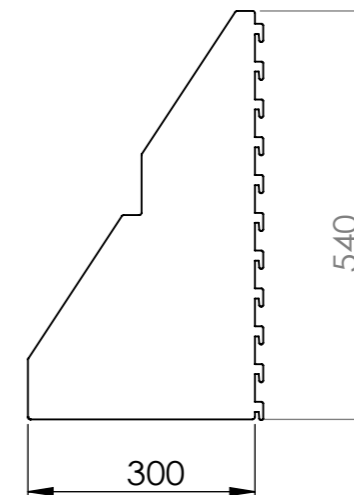
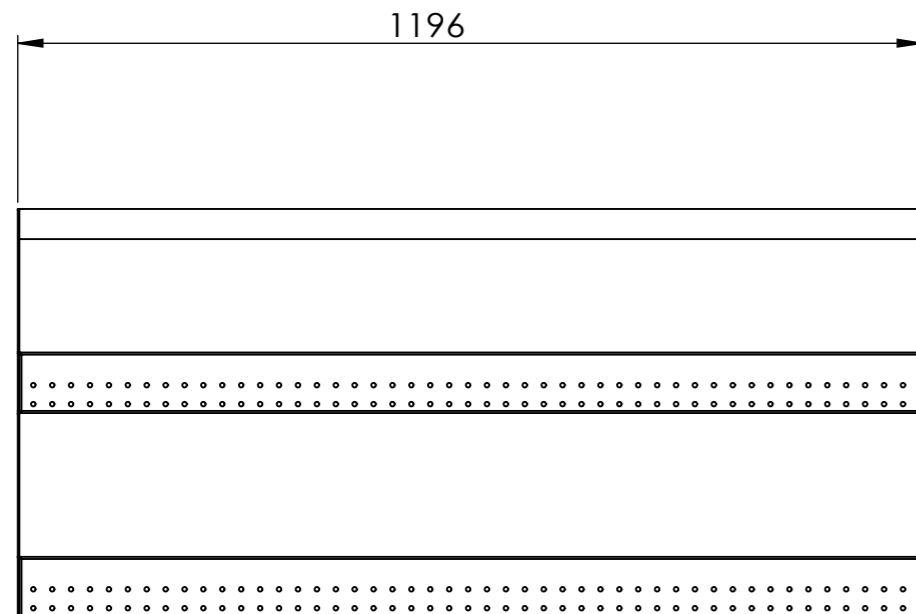
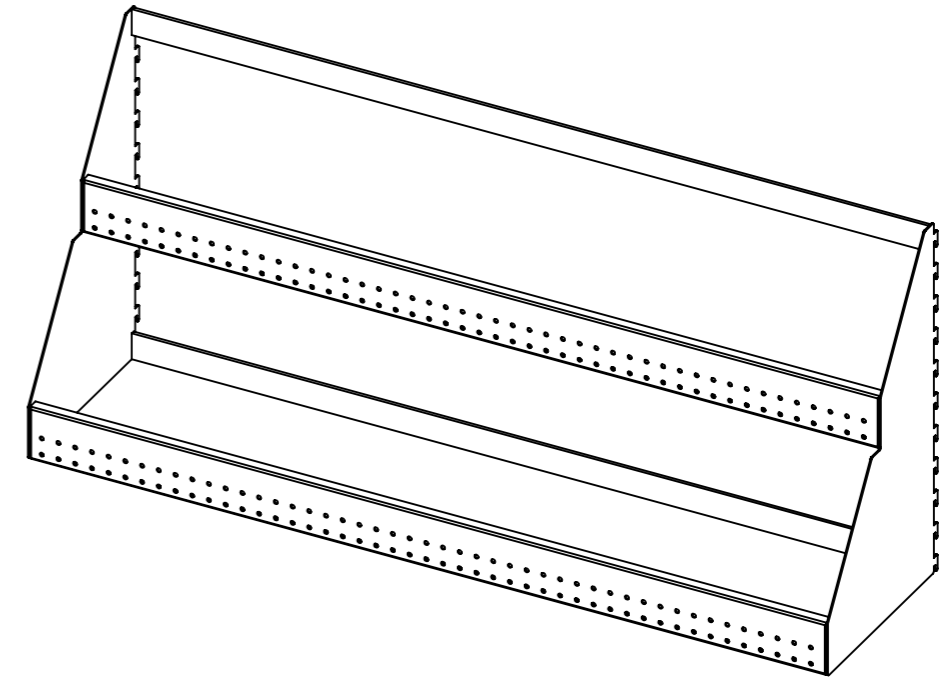
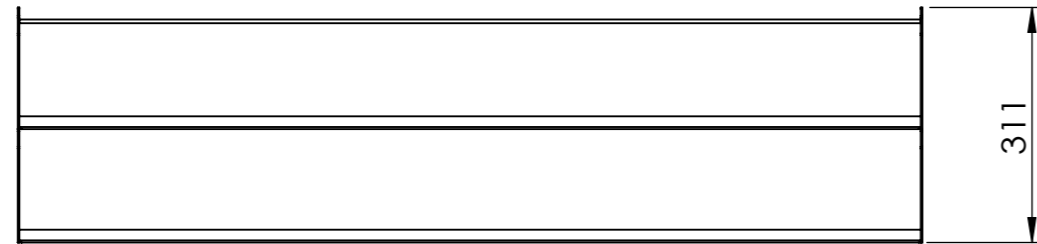
Drawn by DH

Checked by --



DO NOT SCALE

Scale@A3 1:10



Rev	Date	Description

ALL DIMENSIONS IN (mm)  
UNLESS OTHERWISE SPECIFIED  
BREAK ALL SHARP EDGES

TOLERANCES  
(BEFORE PAINTING  
& AFTER PLATING)  
X ± 1.00  
X.X ± 0.50  
X.XX ± 0.10  
ANGLES ± 0.5°

**A02-CLIENT**  
CLIENT: RFA2000/6000  
PROJ. NO.: TBA  
PART NO.: --  
Revision --  
Page 2

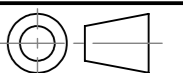
**WATERFALL DISPLAY 1200 MM (W)  
DOUBLE TIER**

PRODUCT CODE: **RFA0080**

Date: 6/06/2023

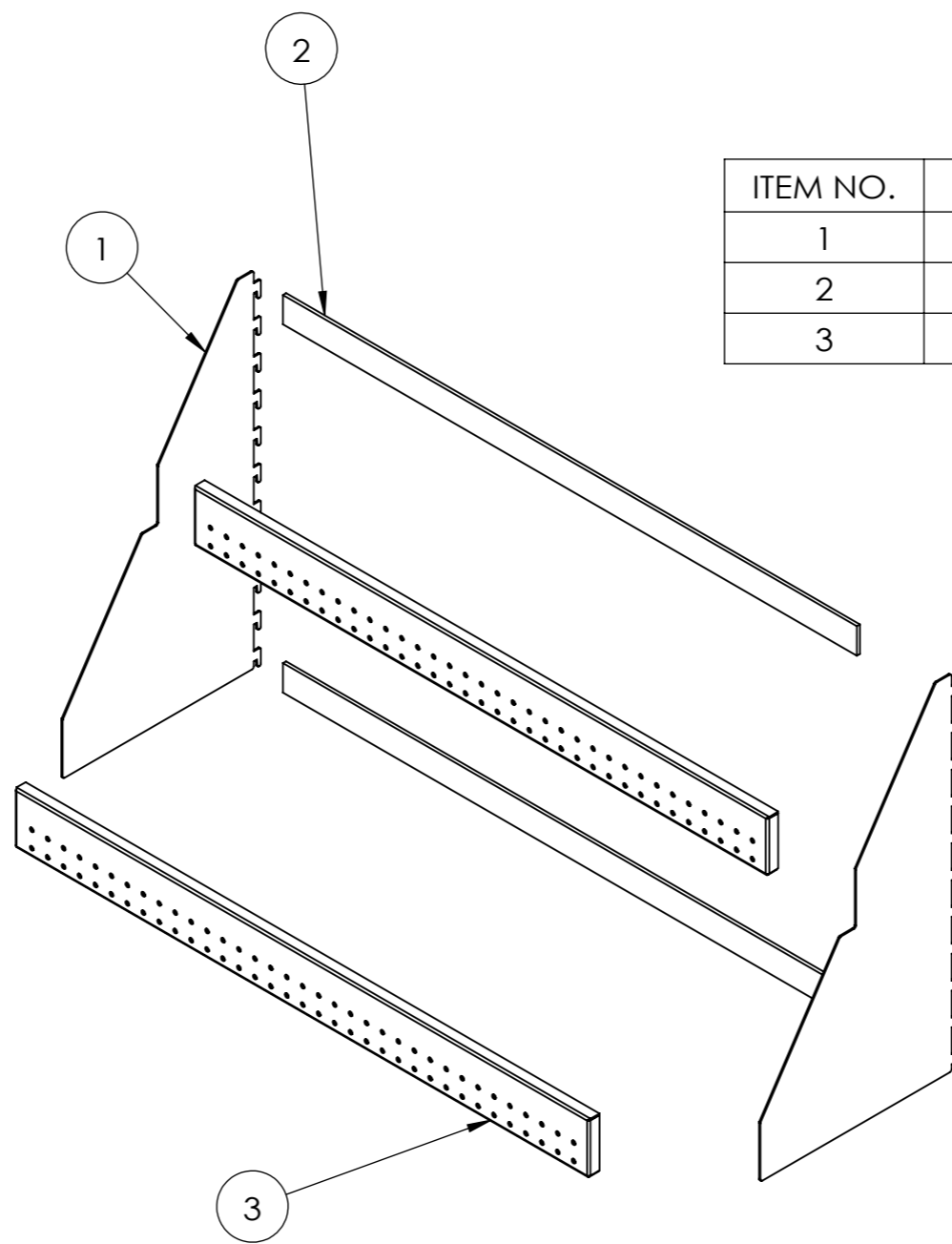
Drawn by DH

Checked by --



DO NOT SCALE

Scale@A3 1:10



ITEM NO.	DESCRIPTION	QTY.
1	Sheet	2
2	50 x 30 x 2.6	2
3	Sheet	2

Rev	Date	Description

ALL DIMENSIONS IN (mm)  
UNLESS OTHERWISE SPECIFIED  
BREAK ALL SHARP EDGES

TOLERANCES  
(BEFORE PAINTING  
& AFTER PLATING)  
X ± 1.00  
X.X ± 0.50  
X.XX ± 0.10  
ANGLES ± 0.5°

**A03-MECHANICAL**

CLIENT: RFA2000/6000

PROJ. NO.: TBA

PART NO.: --

Revision --

Page 3

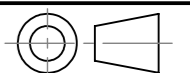
**WATERFALL DISPLAY 1200 MM (W)  
DOUBLE TIER**

PRODUCT CODE: **RFA0080**

Date: 6/06/2023

Drawn by DH

Checked by --



DO NOT SCALE

Scale@A3 1:8