

FINISH: P/C MATTE BLACK

**AP ASSOCIATED PROJECTS** COMMERCIAL BUILDERS,  
PROJECT MANAGERS,  
PLANNERS & DESIGNERS

T 03 8787 3000 F 03 8787 3025  
48-58 Cyber Loop, Dandenong South VIC 3175

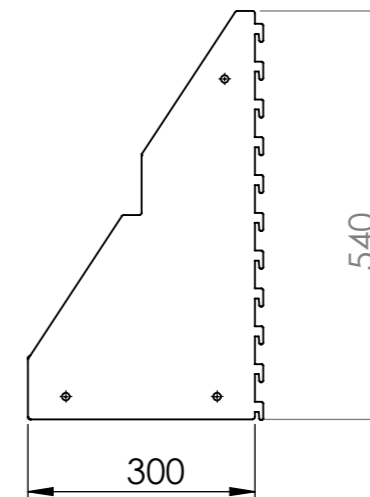
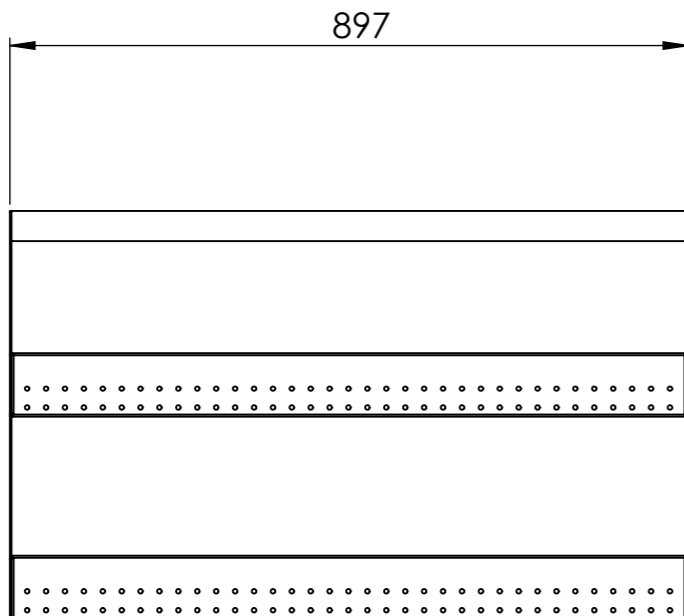
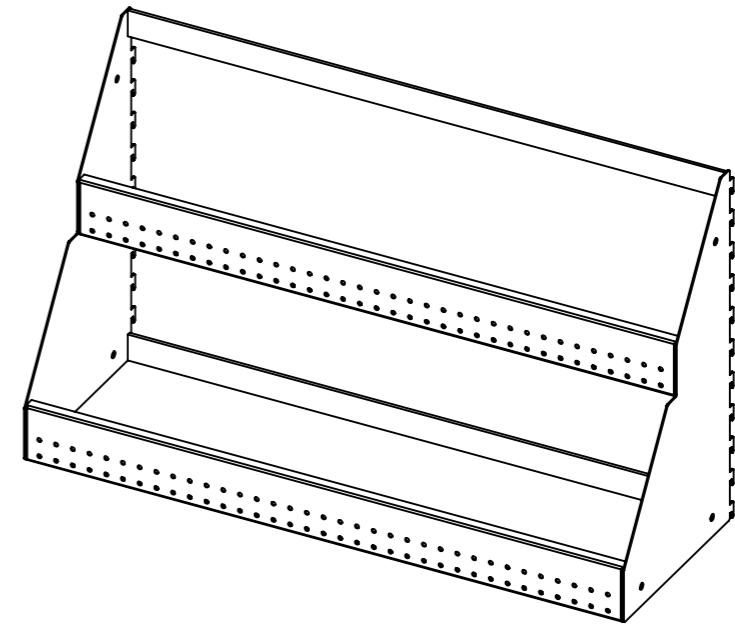
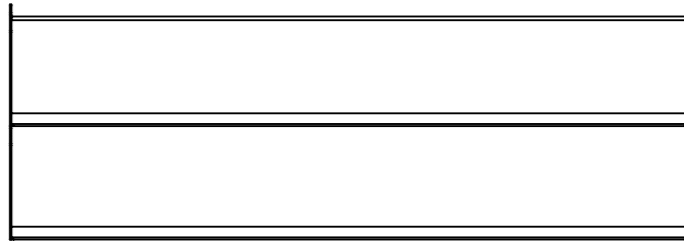
Rev	Date	Description

ALL DIMENSIONS IN (mm)  
UNLESS OTHERWISE SPECIFIED  
BREAK ALL SHARP EDGES

TOLERANCES  
(BEFORE PAINTING  
& AFTER PLATING)  
X ± 1.00  
X.X ± 0.50  
X.XX ± 0.10  
ANGLES ± 0.5°

**A01-RENDER**  
CLIENT: RFA  
PROJ. NO.: TBA  
PART NO.: --  
Revision --  
Page 1

<b>WATERFALL DISPLAY</b> W900 DOUBLE TIER		
PRODUCT CODE: <b>RFA0078</b>	Date: 26/06/2024	
Drawn by: DH	Checked by: --	DO NOT SCALE
Scale@A3 1:10		



Rev	Date	Description

ALL DIMENSIONS IN (mm)  
UNLESS OTHERWISE SPECIFIED  
BREAK ALL SHARP EDGES

TOLERANCES  
(BEFORE PAINTING  
& AFTER PLATING)  
X ± 1.00  
X.X ± 0.50  
X.XX ± 0.10  
ANGLES ± 0.5°

**A02-DIMENSIONS**

CLIENT: RFA  
PROJ. NO.: TBA  
PART NO.: --  
Revision --  
Page 2

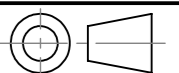
**WATERFALL DISPLAY  
W900 DOUBLE TIER**

PRODUCT CODE: **RFA0078**

Date: 26/06/2024

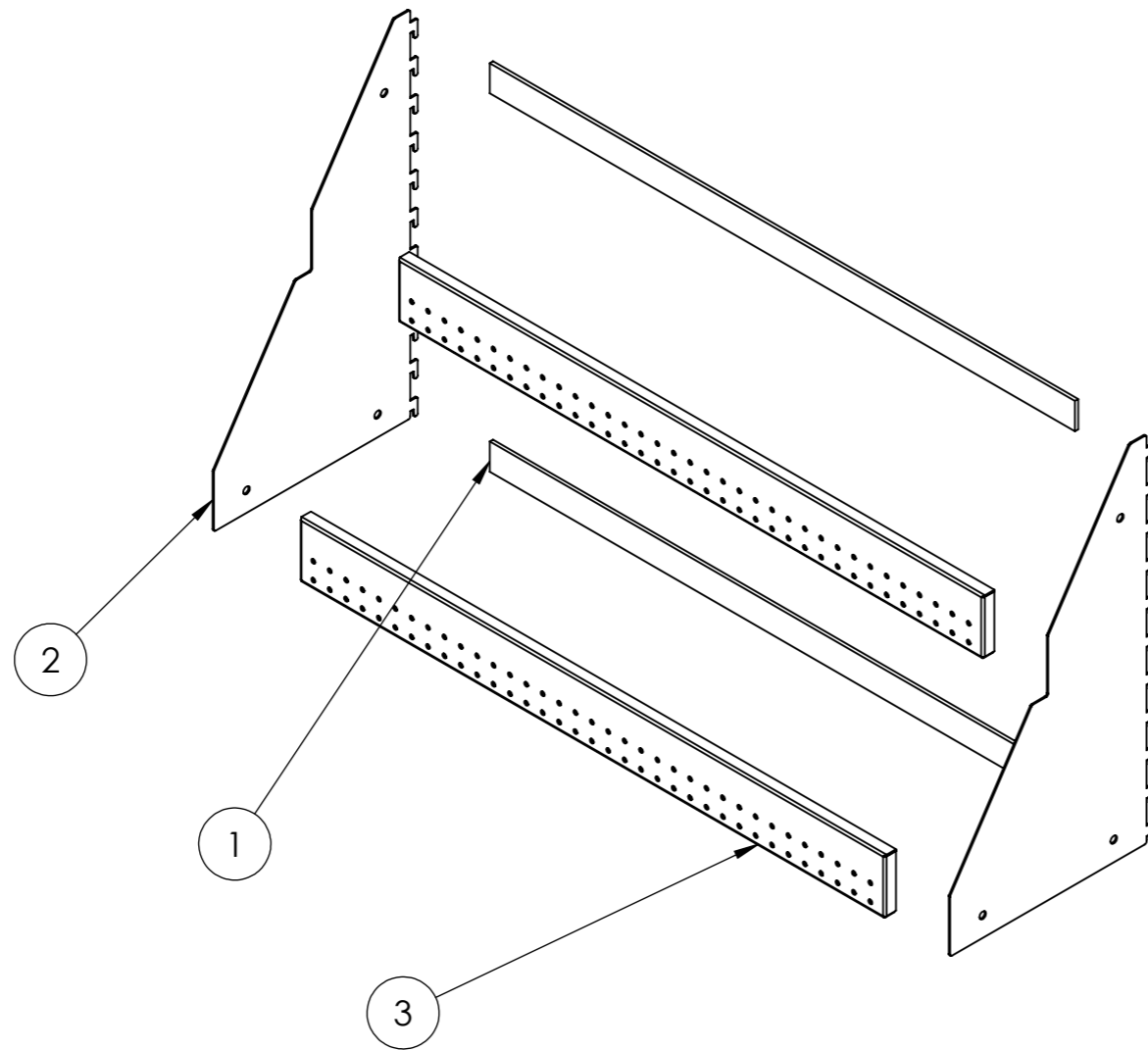
Drawn by DH

Checked by --



DO NOT SCALE

Scale@A3 1:10



ITEM NO.	DESCRIPTION	LENGTH	QTY.
1	50 x 30 x 2.6	893	2
2	Sheet		2
3	Sheet		2

Rev	Date	Description

ALL DIMENSIONS IN (mm)  
UNLESS OTHERWISE SPECIFIED  
BREAK ALL SHARP EDGES

TOLERANCES  
(BEFORE PAINTING  
& AFTER PLATING)  
X ± 1.00  
X.X ± 0.50  
X.XX ± 0.10  
ANGLES ± 0.5°

**A03-MECHANICAL**  
CLIENT: RFA  
PROJ. NO.: TBA  
PART NO.: --  
Revision --  
Page 3

<b>WATERFALL DISPLAY W900 DOUBLE TIER</b>		
PRODUCT CODE: <b>RFA0078</b>	Date: 26/06/2024	
Drawn by: DH	Checked by: --	DO NOT SCALE
Scale@A3 1:8		