

T 03 8787 3000 F 03 8787 3025  
 48-58 Cyber Loop, Dandenong South  
 VIC 3175 (AUSTRALIA)

© COPYRIGHT. This drawing is the exclusive property of Associated Projects Pty Ltd. It is subject to protection and is strictly confidential. Reproduction in whole or in part is prohibited without obtaining prior permission in writing from the proprietor.

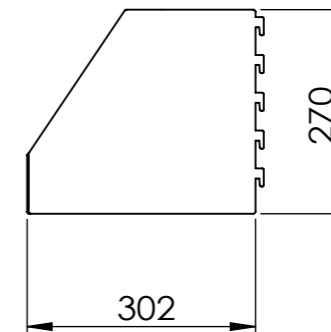
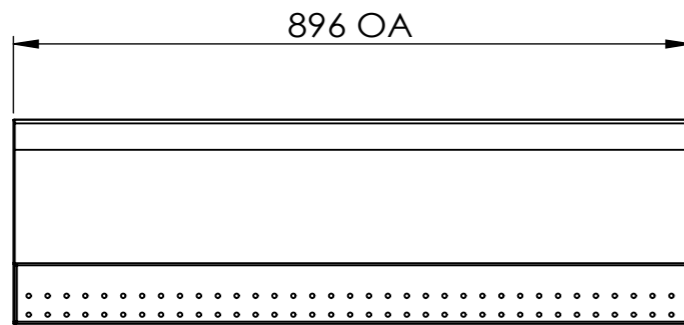
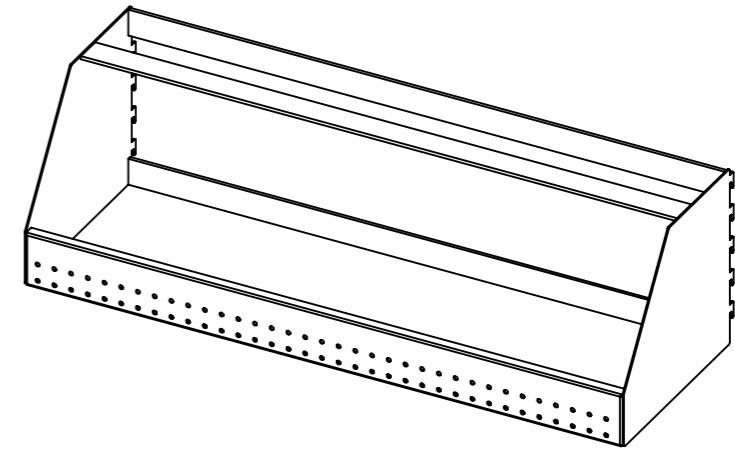
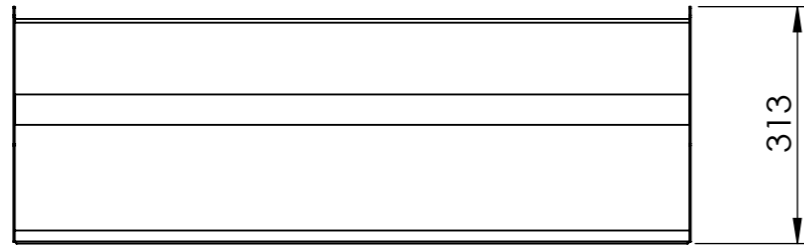
Rev	Date	Description

ALL DIMENSIONS IN (mm)  
 UNLESS OTHERWISE SPECIFIED  
 BREAK ALL SHARP EDGES

TOLERANCES  
 (BEFORE PAINTING  
 & AFTER PLATING)  
 X ± 1.00  
 X.X ± 0.50  
 X.XX ± 0.10  
 ANGLES ± 0.5°

**A01- RENDER**  
**CLIENT: RFA2000 / 6000**  
**PROJ. NO.: TBA**  
**FINISH: P/C MATTE BLACK**  
**MAT'L: MILD STEEL**  
 Page 1

<b>WATERFALL DISPLAY - W900 SINGLE TIER - SUITS</b> RFA2000/RFA6000		
<b>PRODUCT CODE: RFA0077</b>		
Date:	27/02/2024	DO NOT SCALE
Drawn by	DH	
Checked by	NP	
Scale@A3		1:10



T 03 8787 3000 F 03 8787 3025  
48-58 Cyber Loop, Dandenong South  
VIC 3175 (AUSTRALIA)

© COPYRIGHT. This drawing is the exclusive property of Associated Projects Pty Ltd. It is subject to protection and is strictly confidential. Reproduction in whole or in part is prohibited without obtaining prior permission in writing from the proprietor.

Rev	Date	Description

ALL DIMENSIONS IN (mm)  
UNLESS OTHERWISE SPECIFIED  
BREAK ALL SHARP EDGES

TOLERANCES  
(BEFORE PAINTING  
& AFTER PLATING)  
X ± 1.00  
X.X ± 0.50  
X.XX ± 0.10  
ANGLES ± 0.5°

A02- CLIENT  
CLIENT: RFA2000 / 6000  
PROJ. NO.: TBA  
FINISH: P/C MATTE BLACK  
MAT'L: MILD STEEL  
Page 2

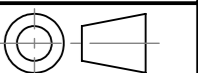
WATERFALL DISPLAY - W900 SINGLE TIER - SUITS  
RFA2000/RFA6000

PRODUCT CODE: **RFA0077**

Date: 27/02/2024

Drawn by DH

Checked by NP



DO NOT SCALE

Scale@A3 1:10