

**FINISH: PVC CLEAR WHITE BACKED**

**AP ASSOCIATED PROJECTS** COMMERCIAL BUILDERS,  
PROJECT MANAGERS,  
PLANNERS & DESIGNERS

T 03 8787 3000 F 03 8787 3025  
48-58 Cyber Loop, Dandenong South VIC 3175

Rev	Date	Description

ALL DIMENSIONS IN (mm)  
UNLESS OTHERWISE SPECIFIED  
BREAK ALL SHARP EDGES

TOLERANCES  
(BEFORE PAINTING  
& AFTER PLATING)  
X ± 1.00  
X.X ± 0.50  
X.XX ± 0.10  
ANGLES ± 0.5°

**A01- RENDER**

**CLIENT: RFA**

**PROJ. NO.: TBA**

**PART NO.: --**

**Revision --**

**Page 1**

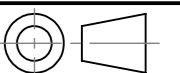
**DATA STRIP - ANGLED - W./ WHITE BACKED**  
W600 x H26

**PRODUCT CODE: RFA0044**

Date: 26/06/2024

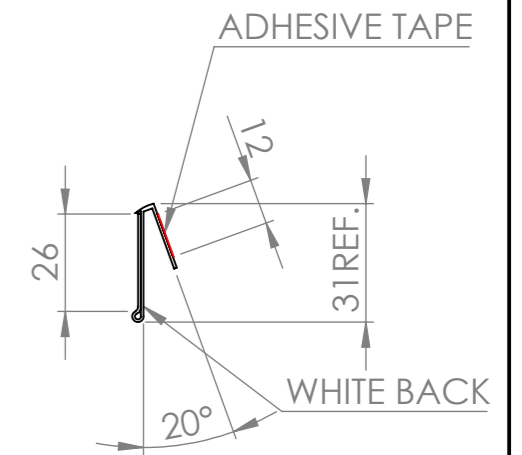
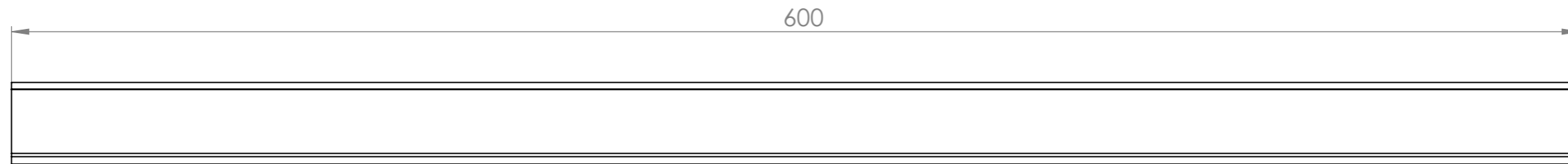
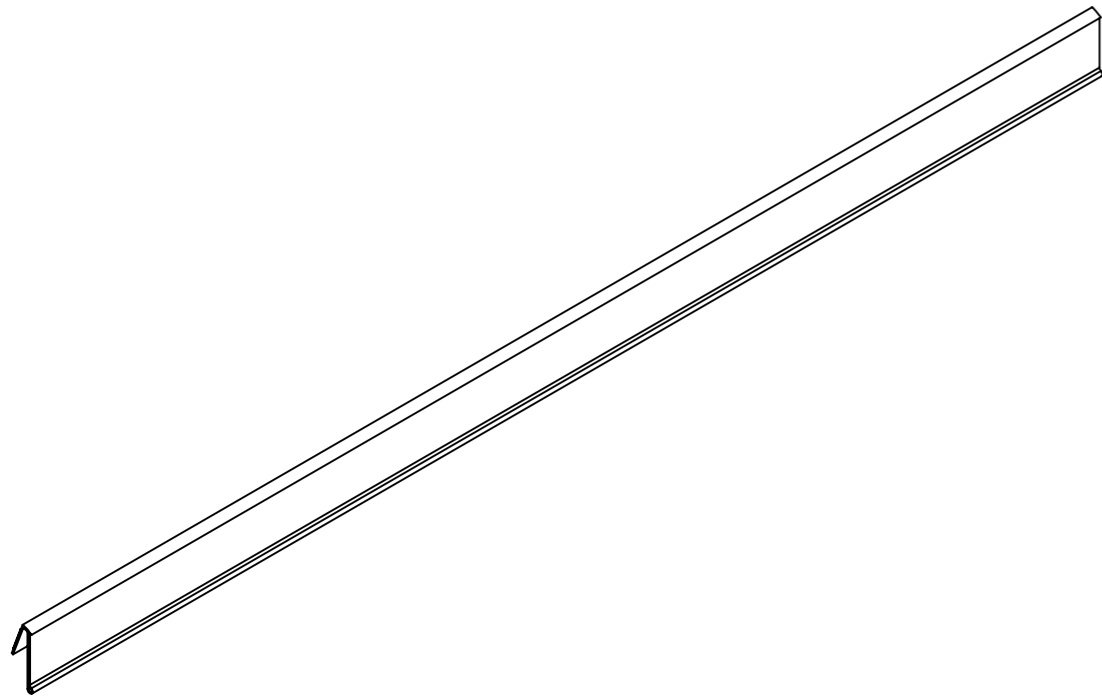
Drawn by PS

Checked by --



DO NOT SCALE

Scale@A3 1:5



Rev	Date	Description

ALL DIMENSIONS IN (mm)  
UNLESS OTHERWISE SPECIFIED  
BREAK ALL SHARP EDGES

TOLERANCES  
(BEFORE PAINTING  
& AFTER PLATING)  
X ± 1.00  
X.X ± 0.50  
X.XX ± 0.10  
ANGLES ± 0.5°

**A02- DIMENSIONS**

CLIENT: RFA  
PROJ. NO.: TBA  
PART NO.: --  
Revision --  
Page 2

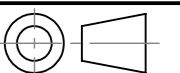
DATA STRIP - ANGLED - W./ WHITE BACKED  
W600 x H26

PRODUCT CODE: **RFA0044**

Date: 26/06/2024

Drawn by PS

Checked by --



DO NOT SCALE

Scale@A3 1:2