



FINISH: CHROME



T 03 8787 3000 F 03 8787 3025
48-58 Cyber Loop, Dandenong South
VIC 3175 (AUSTRALIA)

© COPYRIGHT. This drawing is the exclusive property of Associated Projects Pty Ltd. It is subject to protection and is strictly confidential. Reproduction in whole or in part is prohibited without obtaining prior permission in writing from the proprietor.

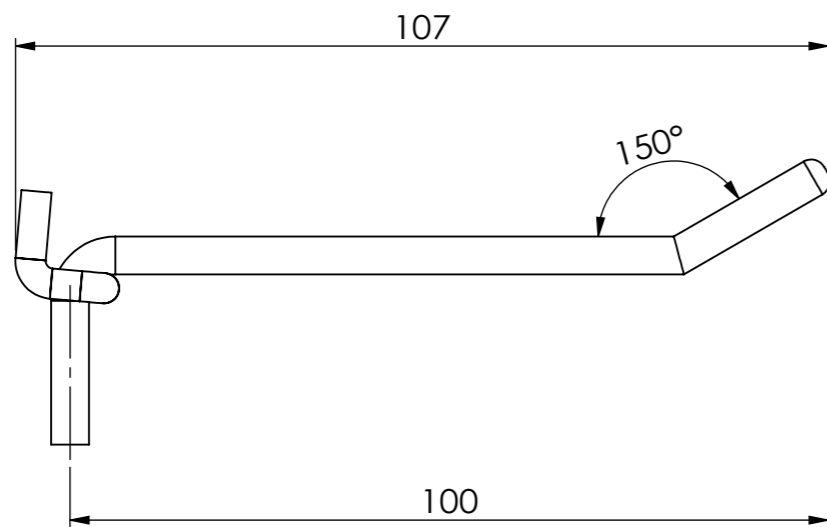
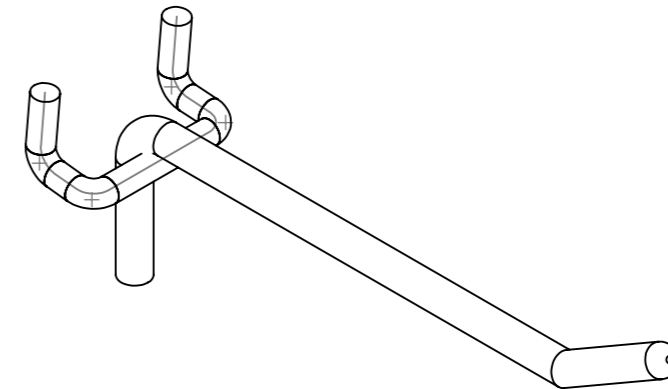
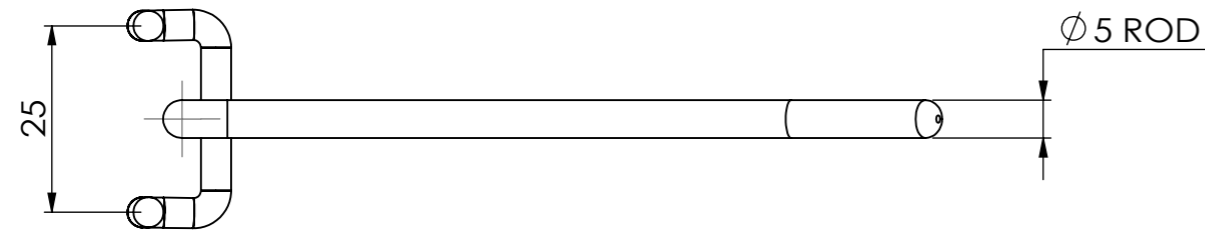
Rev	Date	Description

ALL DIMENSIONS IN (mm)
UNLESS OTHERWISE SPECIFIED
BREAK ALL SHARP EDGES

TOLERANCES
(BEFORE PAINTING
& AFTER PLATING)
X ± 1.00
X.X ± 0.50
X.XX ± 0.10
ANGLES ± 0.5°

A01- RENDER
CLIENT: -
PROJ. NO.: TBA
FINISH: CHROME
MAT'L: MILD STEEL
Page 1

RFA0003 HOOK - SINGLE PRONG 100MM - FOR PERFORATED PANEL - CHROME		
PRODUCT CODE: RFA0003	Date: 22/01/2024	
Drawn by: DH	Checked by: NP	DO NOT SCALE
		Scale@A3 1:1



T 03 8787 3000 F 03 8787 3025
48-58 Cyber Loop, Dandenong South
VIC 3175 (AUSTRALIA)

© COPYRIGHT. This drawing is the exclusive property of Associated Projects Pty Ltd. It is subject to protection and is strictly confidential. Reproduction in whole or in part is prohibited without obtaining prior permission in writing from the proprietor.

Rev	Date	Description

ALL DIMENSIONS IN (mm)
UNLESS OTHERWISE SPECIFIED
BREAK ALL SHARP EDGES

TOLERANCES
(BEFORE PAINTING
& AFTER PLATING)
X ± 1.00
X.X ± 0.50
X.XX ± 0.10
ANGLES ± 0.5°

A02- CLIENT

CLIENT: -

PROJ. NO.: TBA

FINISH: CHROME

MAT'L: MILD STEEL

Page 2

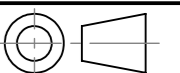
RFA0003 HOOK - SINGLE PRONG 100MM - FOR
PERFORATED PANEL - CHROME

PRODUCT CODE: **RFA0003**

Date: 22/01/2024

Drawn by DH

Checked by NP



DO NOT SCALE

Scale@A3 1:1