



FINISH: P/C SURF MIST

Rev	Date	Description

ALL DIMENSIONS IN (mm)
UNLESS OTHERWISE SPECIFIED
BREAK ALL SHARP EDGES

TOLERANCES
(BEFORE PAINTING
& AFTER PLATING)
X ± 1.00
X.X ± 0.50
X.XX ± 0.10
ANGLES ± 0.5°

A01- RENDER

CLIENT: NJP

PROJ. NO.: TBA

PART NO.: --

Revision --

Page 1

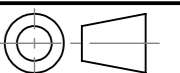
START BAY - SMALL GONDOLA - DOUBLE SIDED
W600 x H1470 x D400

PRODUCT CODE: **NJP308**

Date: 18/12/2024

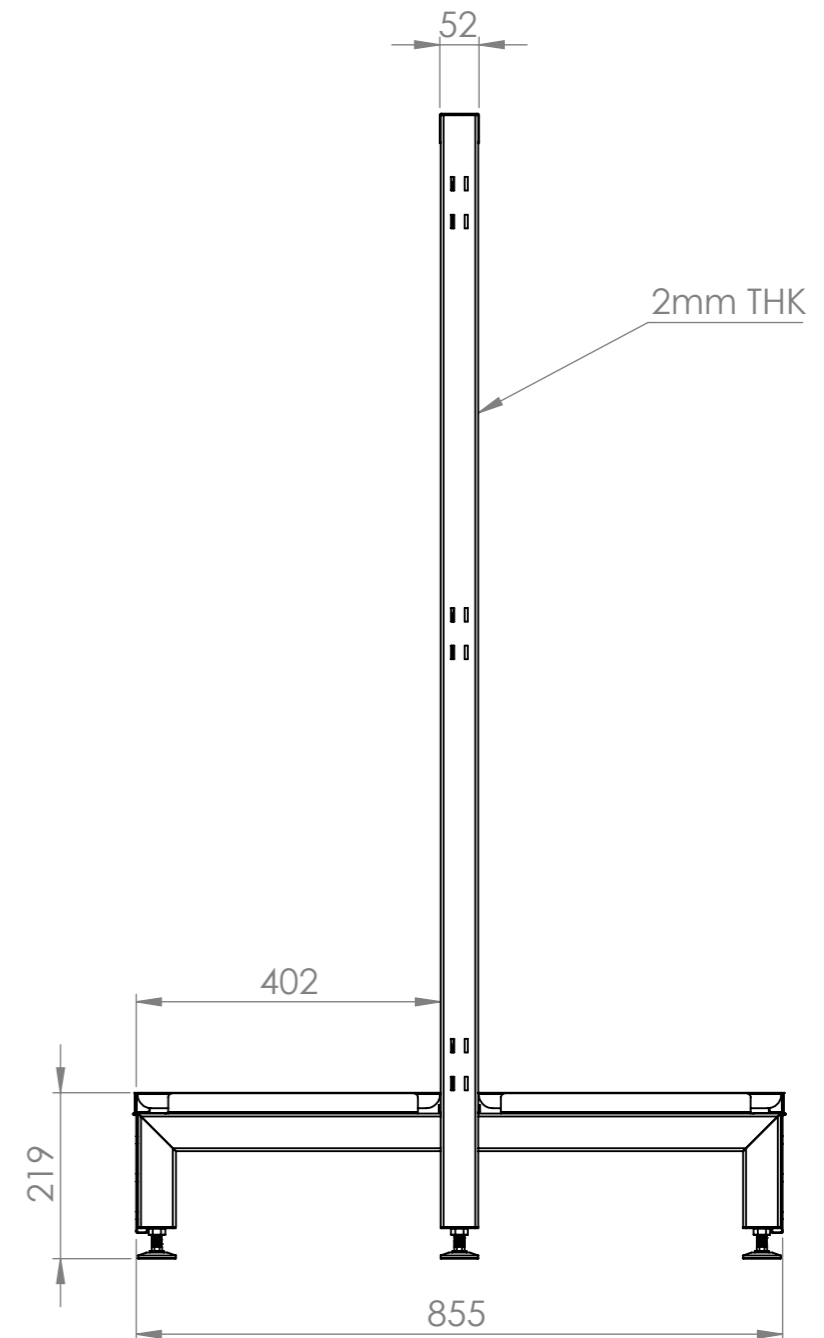
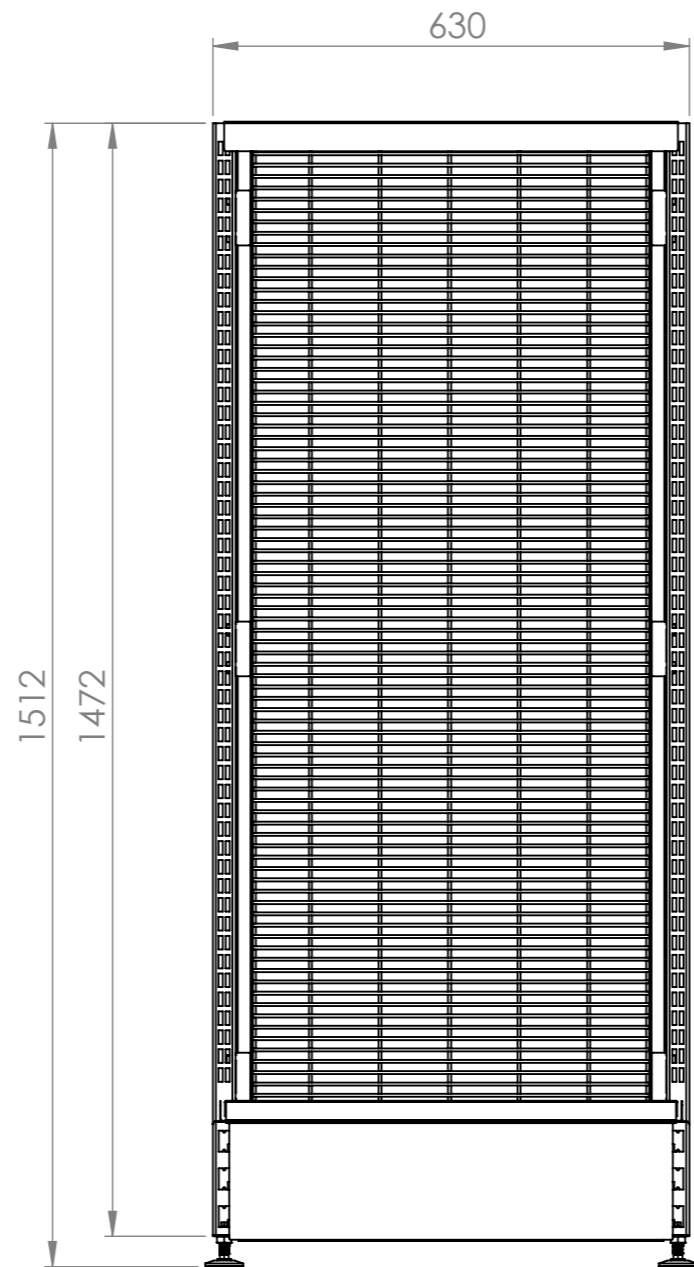
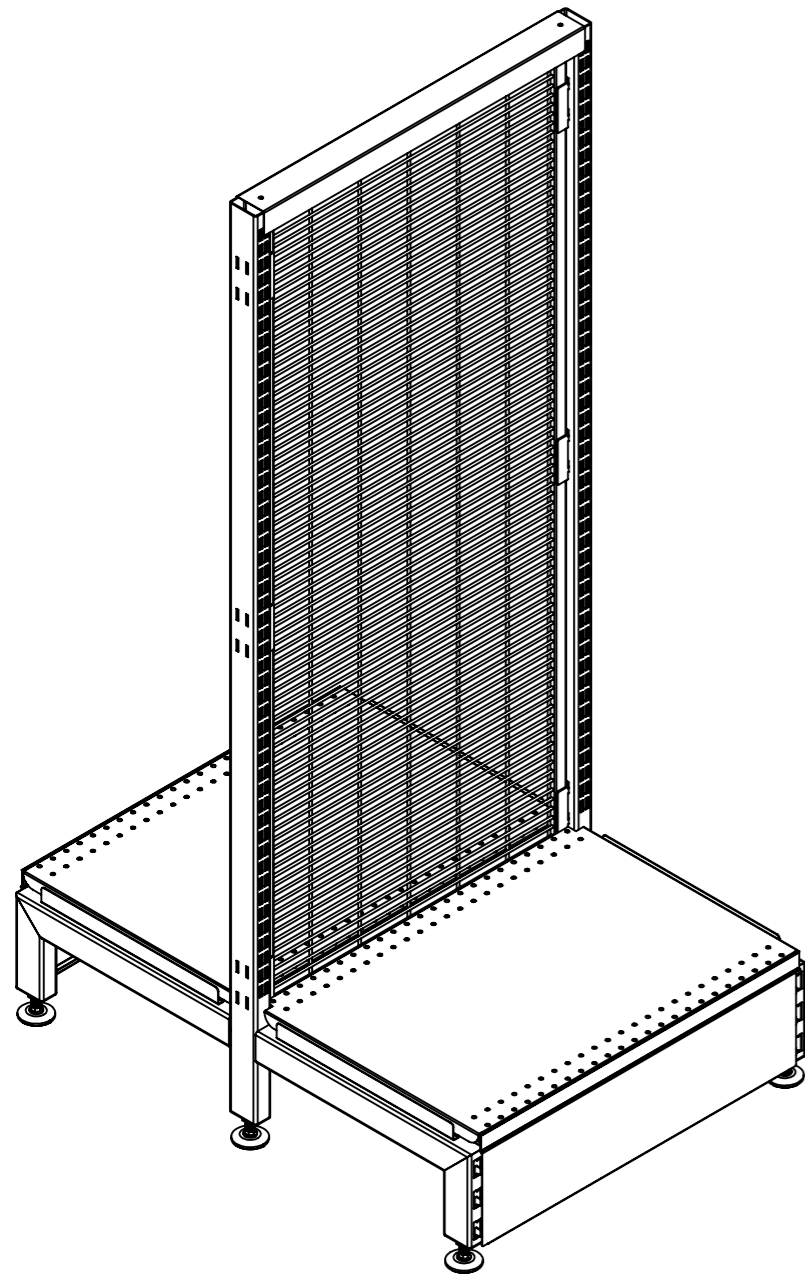
Drawn by PS

Checked by --



DO NOT SCALE

Scale@A3 1:20



Rev	Date	Description

ALL DIMENSIONS IN (mm)
UNLESS OTHERWISE SPECIFIED
BREAK ALL SHARP EDGES

TOLERANCES
(BEFORE PAINTING
& AFTER PLATING)
X ± 1.00
X.X ± 0.50
X.XX ± 0.10
ANGLES ± 0.5°

A02- DIMENSIONS

CLIENT: NJP
PROJ. NO.: TBA
PART NO.: --
Revision --
Page 2

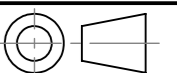
START BAY - SMALL GONDOLA - DOUBLE SIDED
W600 x H1470 x D400

PRODUCT CODE: **NJP308**

Date: 18/12/2024

Drawn by PS

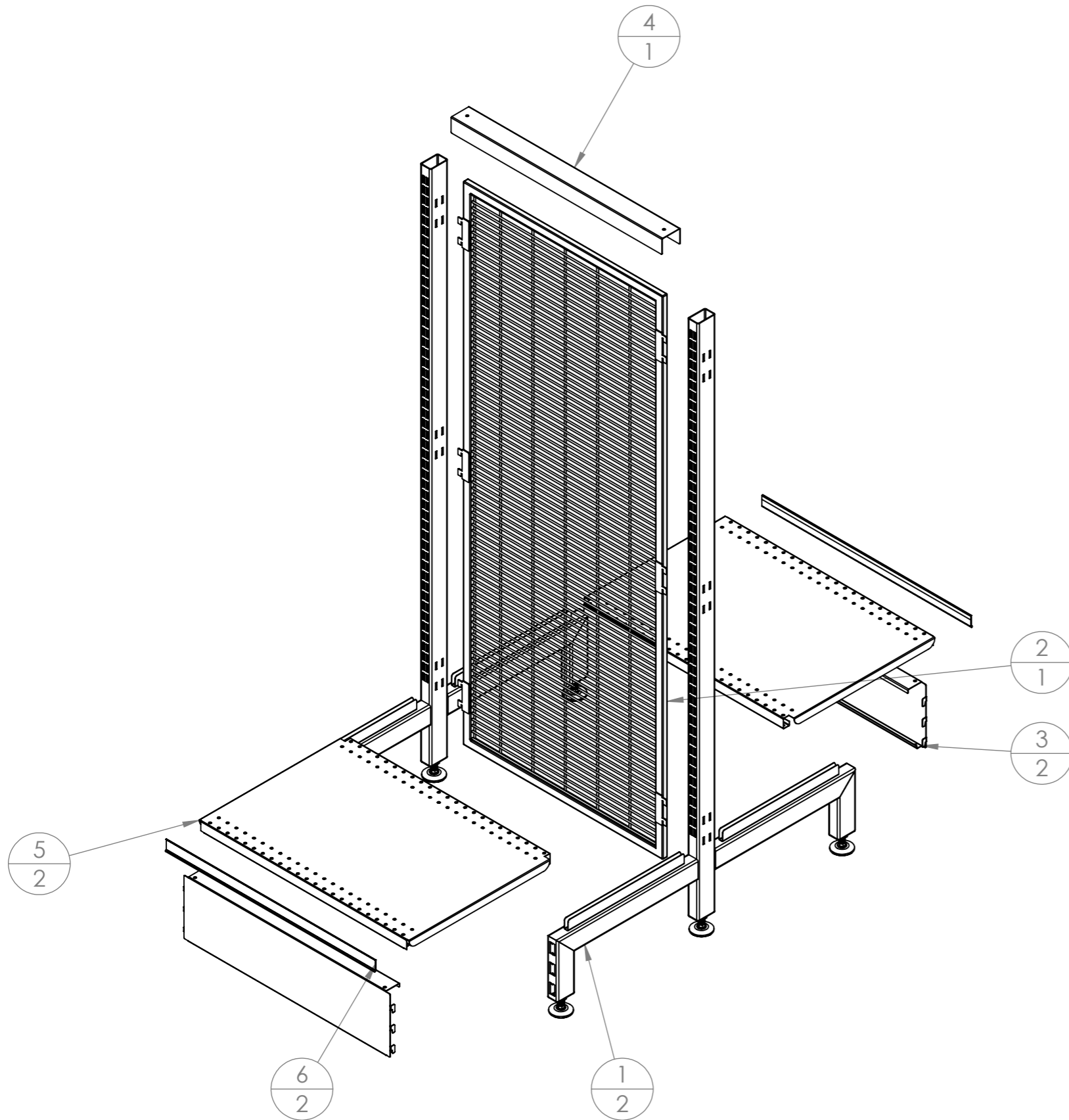
Checked by --



DO NOT SCALE

Scale@A3 1:10

ITEM NO.	PartNo	DESCRIPTION	QTY.
1	NJP005	POST - DOUBLE SIDED GONDOLA - D400 LEG	2
2	NJP007	PANEL - FULL HEIGHT WIRE MESH	1
3	NJP018	SKIRT	2
4	NJP027	TOP CAP - SLIMLINE	1
5	NJP040	SHELF - STEEL BASE WITH CUT OUT	2
6	NJP136	DATA STRIP - FLAT CLEAR BACKED	2

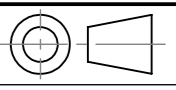


Rev	Date	Description

ALL DIMENSIONS IN (mm)
UNLESS OTHERWISE SPECIFIED
BREAK ALL SHARP EDGES

TOLERANCES
(BEFORE PAINTING
& AFTER PLATING)
X ± 1.00
X.X ± 0.50
X.XX ± 0.10
ANGLES ± 0.5°

A03- EXPLODED
CLIENT: NJP
PROJ. NO.: TBA
PART NO.: --
Revision --
Page 3

START BAY - SMALL GONDOLA - DOUBLE SIDED W600 x H1470 x D400		
PRODUCT CODE: NJP308		
Date:	18/12/2024	DO NOT SCALE
Drawn by	PS	
Checked by	--	
Scale@A3		1:10