



FINISH: P/C SURF MIST

AP ASSOCIATED PROJECTS COMMERCIAL BUILDERS,
PROJECT MANAGERS,
PLANNERS & DESIGNERS

T 03 8787 3000 F 03 8787 3025
48-58 Cyber Loop, Dandenong South VIC 3175

Rev	Date	Description

ALL DIMENSIONS IN (mm)
UNLESS OTHERWISE SPECIFIED
BREAK ALL SHARP EDGES

TOLERANCES
(BEFORE PAINTING
& AFTER PLATING)
X ± 1.00
X.X ± 0.50
X.XX ± 0.10
ANGLES ± 0.5°

A01- RENDER

CLIENT: NJP

PROJ. NO.: TBA

PART NO.: --

Revision --

Page 1

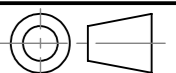
SHELF - STEEL BASE WITH CUT OUT
W600 x D400

PRODUCT CODE: **NJP040**

Date: 18/12/2024

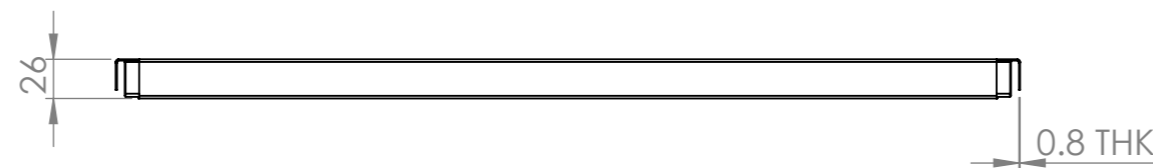
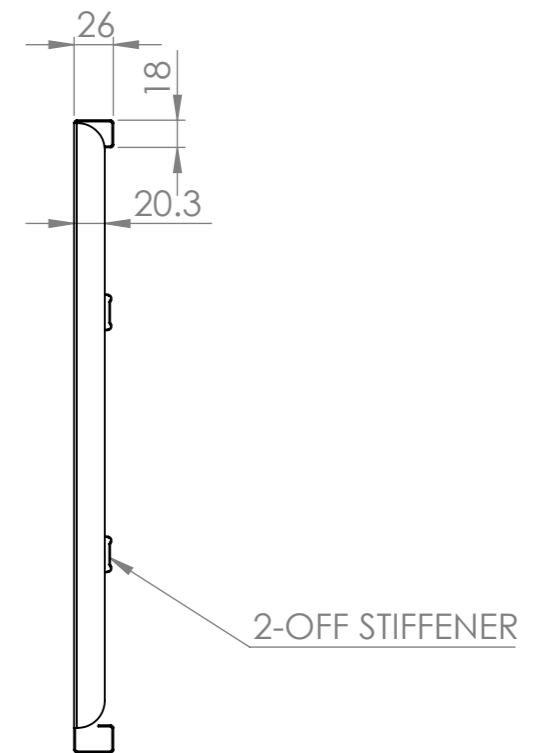
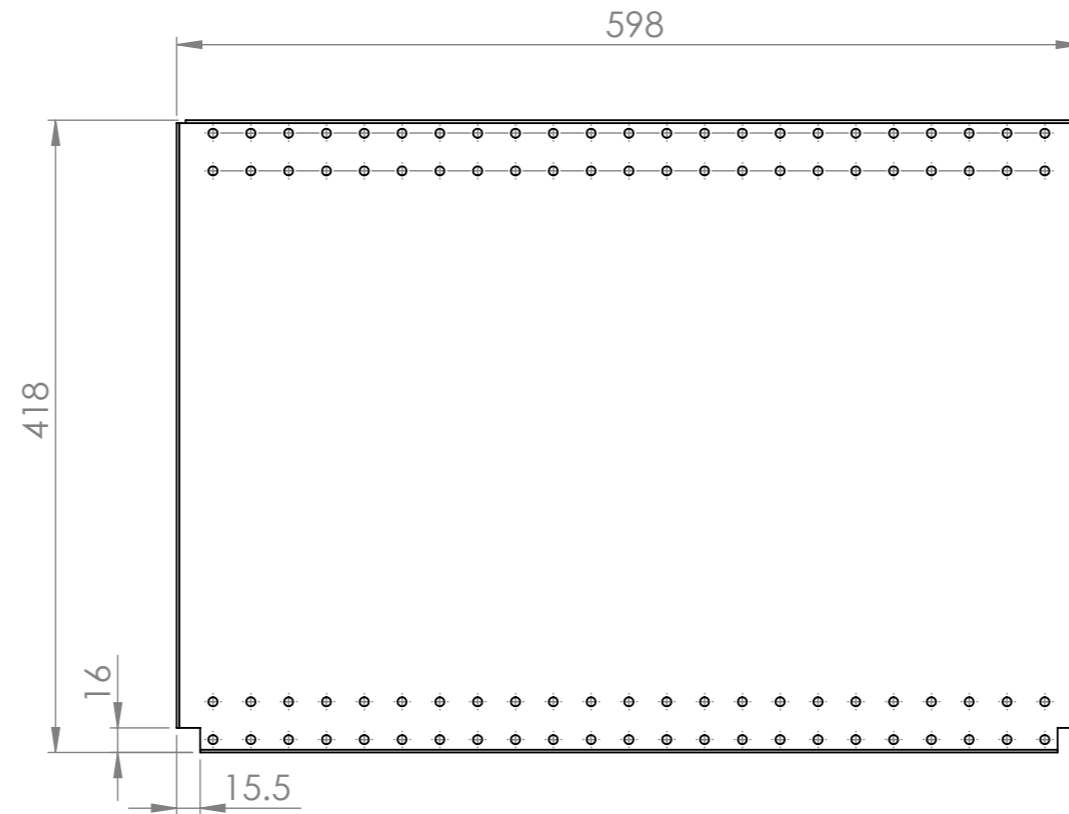
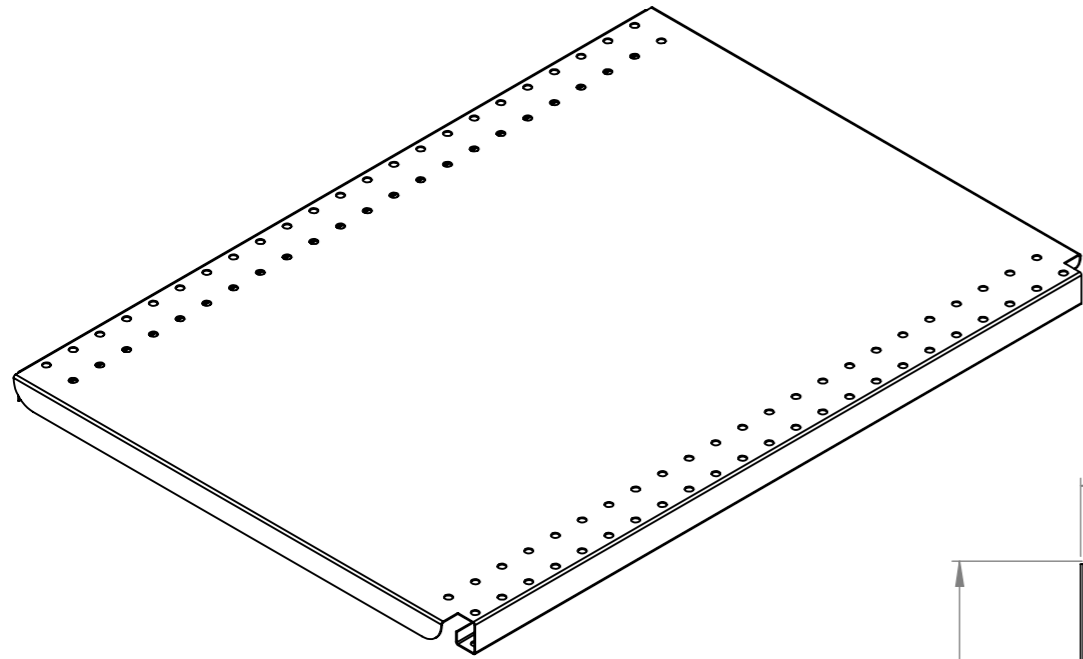
Drawn by PS

Checked by --



DO NOT SCALE

Scale@A3 1:5



Rev	Date	Description

ALL DIMENSIONS IN (mm)
UNLESS OTHERWISE SPECIFIED
BREAK ALL SHARP EDGES

TOLERANCES
(BEFORE PAINTING
& AFTER PLATING)
X ± 1.00
X.X ± 0.50
X.XX ± 0.10
ANGLES ± 0.5°

A02- DIMENSIONS

CLIENT: NJP
PROJ. NO.: TBA
PART NO.: --
Revision --
Page 2

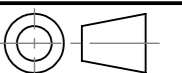
SHELF - STEEL BASE WITH CUT OUT
W600 x D400

PRODUCT CODE: **NJP040**

Date: 18/12/2024

Drawn by PS

Checked by --



DO NOT SCALE

Scale@A3 1:5