



FINISH: P/C SURF MIST

AP ASSOCIATED PROJECTS COMMERCIAL BUILDERS,
PROJECT MANAGERS,
PLANNERS & DESIGNERS

T 03 8787 3000 F 03 8787 3025
48-58 Cyber Loop, Dandenong South VIC 3175

Rev	Date	Description

ALL DIMENSIONS IN (mm)
UNLESS OTHERWISE SPECIFIED
BREAK ALL SHARP EDGES

TOLERANCES
(BEFORE PAINTING
& AFTER PLATING)
X ± 1.00
X.X ± 0.50
X.XX ± 0.10
ANGLES ± 0.5°

A01- RENDER

CLIENT: NJP

PROJ. NO.: TBA

PART NO.: --

Revision --

Page 1

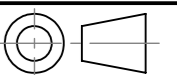
SIGNAGE BRACKET - TOP CLIP IN
W900

PRODUCT CODE: **NJP016**

Date: 16/01/2025

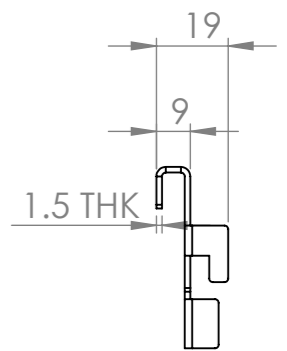
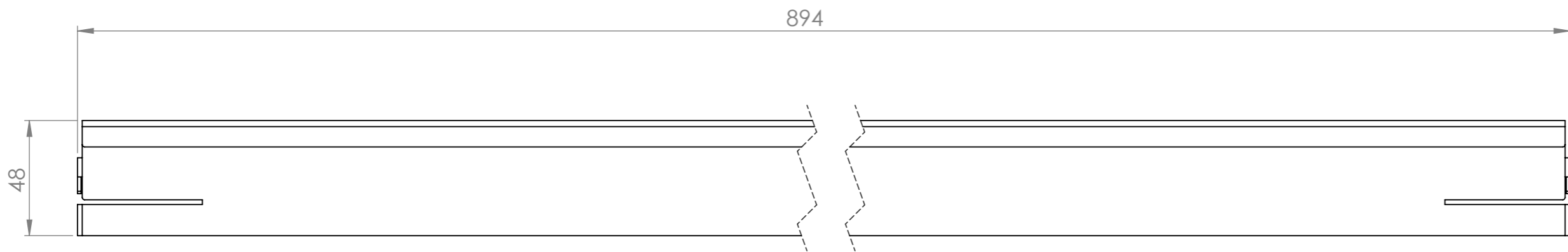
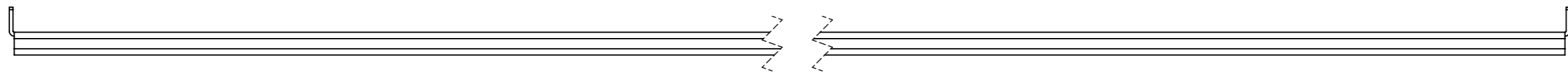
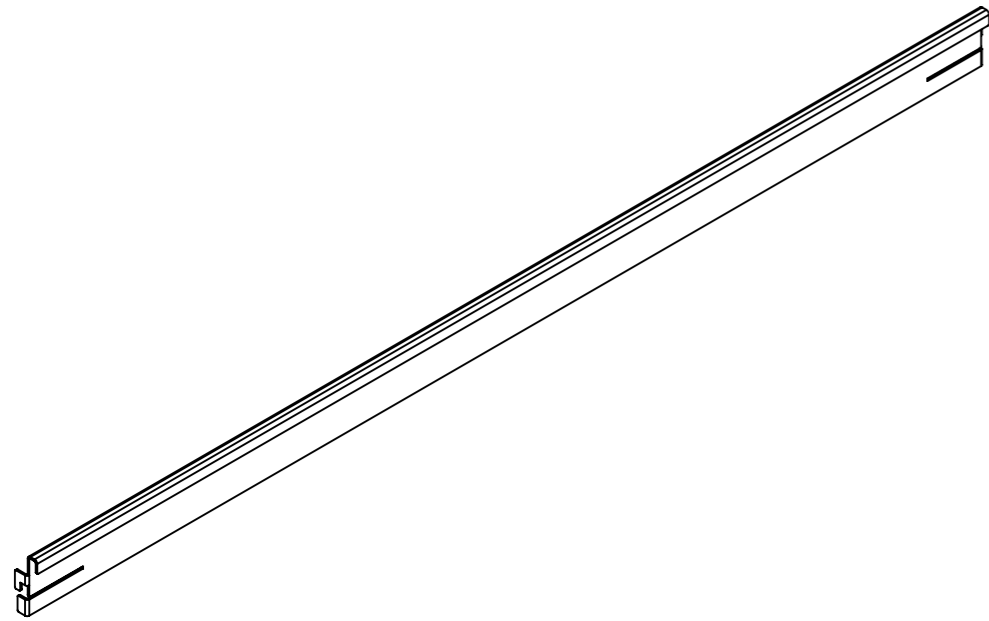
Drawn by PS

Checked by --



DO NOT SCALE

Scale@A3 1:5



Rev	Date	Description

ALL DIMENSIONS IN (mm)
UNLESS OTHERWISE SPECIFIED
BREAK ALL SHARP EDGES

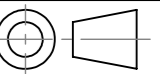
TOLERANCES
(BEFORE PAINTING
& AFTER PLATING)
X ± 1.00
X.X ± 0.50
X.XX ± 0.10
ANGLES ± 0.5°

A02- DIMENSIONS

CLIENT: NJP
PROJ. NO.: TBA
PART NO.: --
Revision --
Page 2

SIGNAGE BRACKET - TOP CLIP IN
W900

PRODUCT CODE: **NJP016**
Date: 16/01/2025
Drawn by PS
Checked by --


DO NOT SCALE
Scale@A3 1:2