

| Rev | Date | Description |
|-----|------|-------------|
| | | |
| | | |
| | | |
| | | |

ALL DIMENSIONS IN (mm)
UNLESS OTHERWISE SPECIFIED
BREAK ALL SHARP EDGES

TOLERANCES
(BEFORE PAINTING
& AFTER PLATING)
X ± 1.00
X.X ± 0.50
X.XX ± 0.10
ANGLES ± 0.5°

A01- RENDER

CLIENT: RFA

PROJ. NO.: TBA

PART NO.: --

Revision --

Page 1

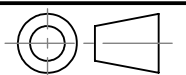
WALL BAY TIMBER END PANEL
H2450 x D400 x T16

PRODUCT CODE: **AP1058**

Date: 16/10/2024

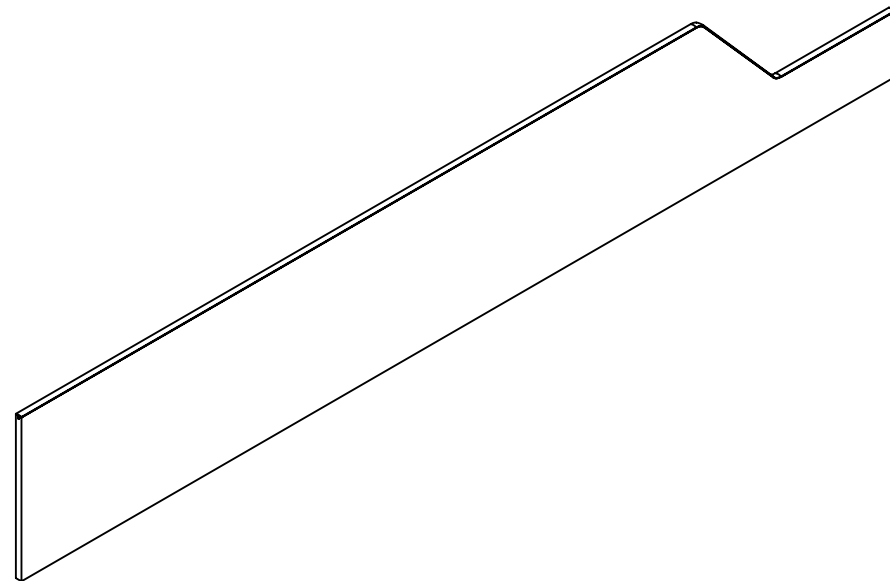
Drawn by PS

Checked by --

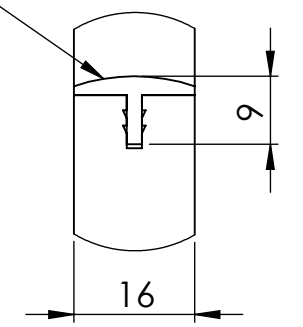


DO NOT SCALE

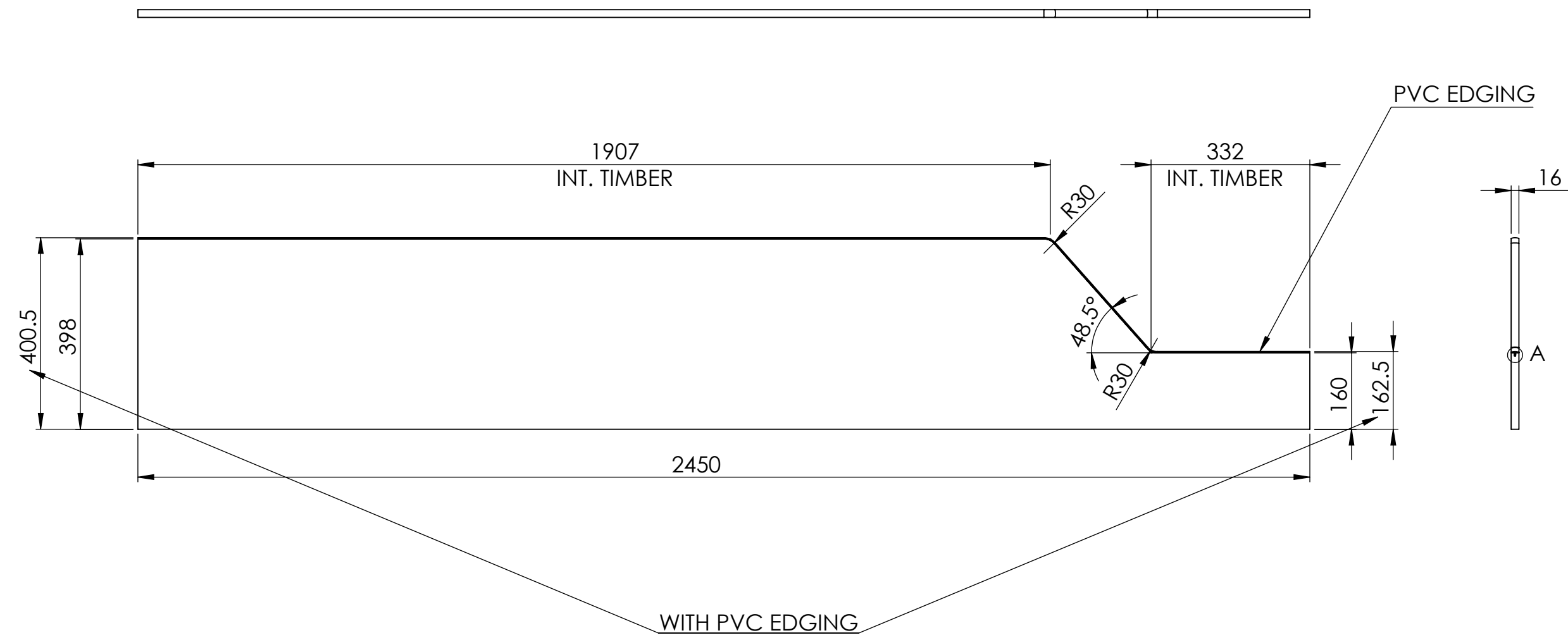
Scale@A3 1:20



PVC EDGING



DETAIL A
SCALE 1 : 1



| Rev | Date | Description |
|-----|------|-------------|
| | | |
| | | |
| | | |

ALL DIMENSIONS IN (mm)
UNLESS OTHERWISE SPECIFIED
BREAK ALL SHARP EDGES

TOLERANCES
(BEFORE PAINTING
& AFTER PLATING)
X ± 1.00
X.X ± 0.50
X.XX ± 0.10
ANGLES ± 0.5°

A02- DIMENSIONS

CLIENT: RFA
PROJ. NO.: TBA
PART NO.: --
Revision --
Page 2

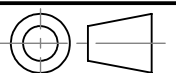
WALL BAY TIMBER END PANEL
H2450 x D400 x T16

PRODUCT CODE: **AP1058**

Date: 16/10/2024

Drawn by PS

Checked by --



DO NOT SCALE

Scale@A3 1:10